

Product Specification - ARTS Fixed Chair

Hussey Seatway Ltd

ARTS Chair

A premium fixed auditorium chair with a stylish armrest feature and correctly shaped lumbar support foam that promotes good posture. The ARTS chair offers unrivalled comfort and can be easily customised to the cli-



Applications

Suitable for small to medium sized theatres, schools and corporate facilities.

Features

- 500mm, 520mm & 540mm seat centres.
- Tread and riser mountings.
- A silent tipping mechanism, an essential feature for theatres.
- Weight activated tipping with a fully enclosed stop mechanism that cannot trap fingers or clothing.
- Several 'bolt-on' options that allow for easy customisation of the chair.
- Suitable for straight and curved row installations.

Finishes

Fabric: 'Flambend' Fabric or Bute Fabrics 'Elgin' are standard and we also work to customers own requirement.

Metalwork: Satin black, medium texture, e.p.c.

Woodwork: Clear, satin lacquer.

Armrests: Black satin or clear satin lacquer.

Technical

For all technical details, please see the reverse side of this spec. sheet.



Black



Beech

The ARTS 'knife handle' style armrest detail is available with a satin black or lacquered beech wood finish.

Options



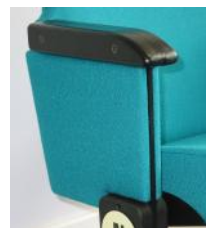
Seat Numbers.



Aisle Letters.



Aisle Light (LED)



End & Side Panels.



Backrest seam.



Back Panel.

Beech or maple veneered back panel in place of the standard fabric type.

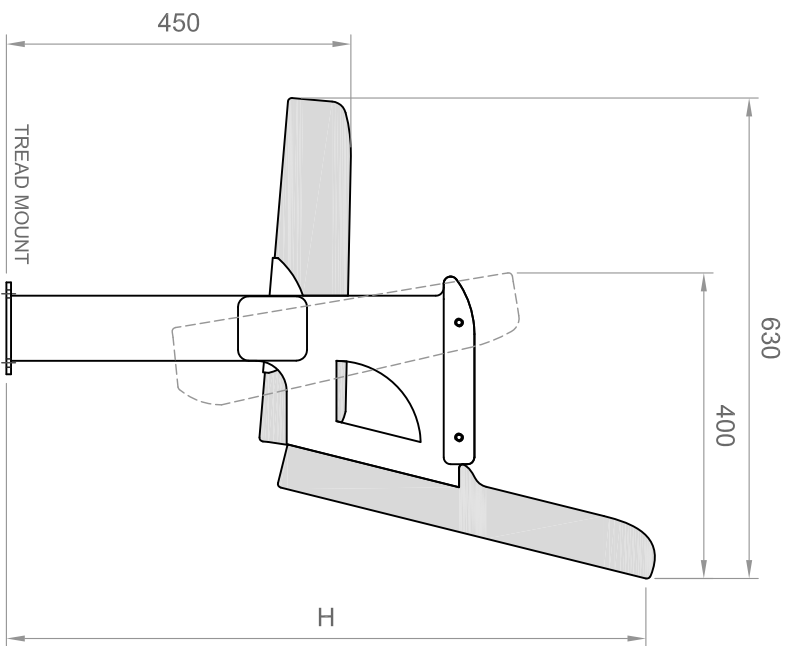
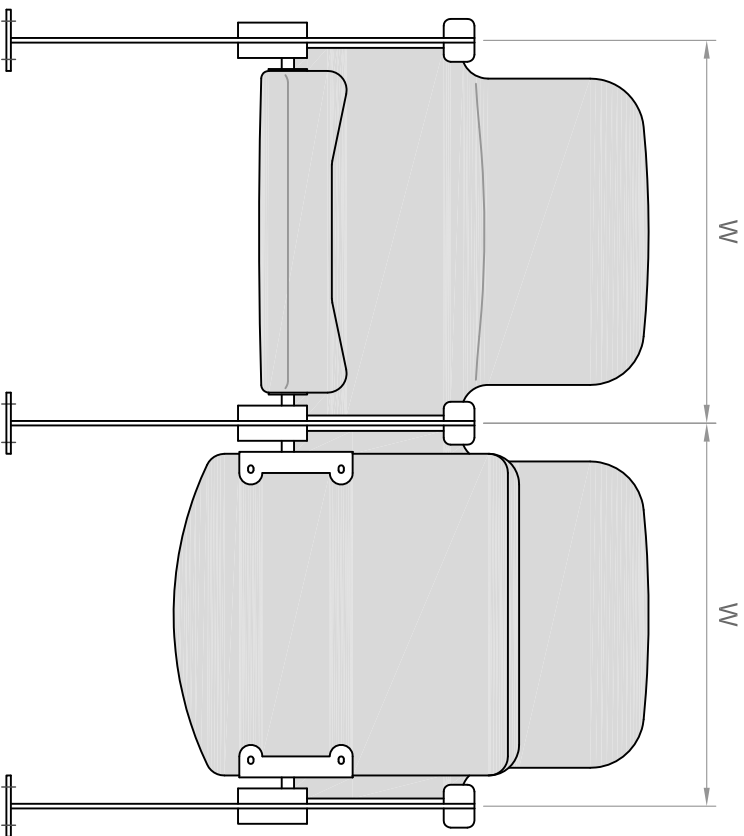
Contact Details

Hussey Seatway Ltd
3 Centurion Way
Crusader Park
Warminster
Wiltshire
BA12 8BT

Tel: +44 (0)1985 847200

Fax: +44 (0)1985 847300

sales@husseyseatway.com



Configurations

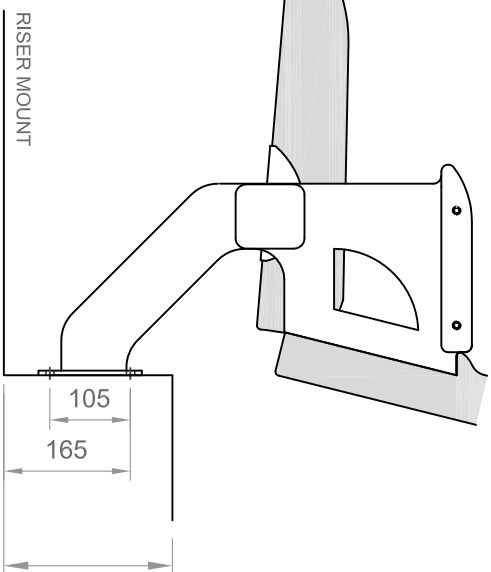
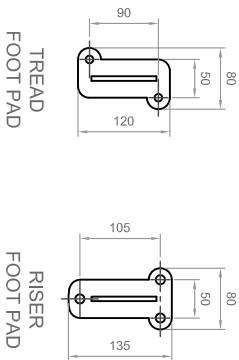
SEAT CENTRES (W)	SEAT HEIGHT (H)
500	840
520	840
540	840

Strength & Stability

The chair satisfies the requirements of EN 12727:2000.

Fire Retardancy

The fabric and foam comply with BS 5852:1990 (Source 0, 1, and 5). Other codes or European Standards can be satisfied as required.



220 - 340 STD RISE
(OTHERS AVAILABLE
UPON APPLICATION)

RevNo	Revision note	xx/xx/xx	Date	Signature	Checked
B					

GENERAL TOLERANCE ± 1.0 mm

HUSSEY SEATWAY
PUBLIC SEATING SYSTEMS

THIS DRAWING IS THE PROPERTY AND COPYRIGHT OF HUSSEY SEATWAY LTD. WRITTEN PERMISSION IS PROHIBITED. © 2002

Tel: +44 (0)1985 947200
Fax: +44 (0)1985 847300
Email: info@husseyseatway.com

Itemref	Quantity	Title/Name, designation, material, dimension etc	Article No./Reference
PRODUCT SPECIFICATION LAYOUT			
ARTS CHAIR			
SS010			
Date	27/06/02	Drawn by	JCE
		Checked by	XXX
		Rev.	A
	SS010-1000	Sheet	1/1
		A2 Scale	1:5