

Product Specification: MAXAM 24 - HSM24

Hussey Seatway Ltd

Description

Hussey Seatway Type 'MAXAM 24' is a mobile, tiered seating unit that provides a simple to use, rugged and very flexible seating system for school halls and sports halls. Designed and manufactured in the UK, MAXAM 24 can be set alongside a larger installation of MAXAM telescopic seating or used 'stand alone' in a variety of layouts.

Each section is rolled out from its store position and turned over into the use position. A typical set up time for 6 units is approximately 15 minutes.

MAXAM 24 meets all the necessary seating codes, with side and rear safety rails providing protection from falling.

Applications

MAXAM 24 is suitable for a range of seating applications;

- Schools
- Sport Halls
- Team Benches
- Swimming Pools
- Rental Seating

Standard Specification

Ref: HSM24

Seats 24 off - Courtside
 Row Rise 245mm
 Row Depth 660mm
 Width 2740mm
 Stored Depth 1165mm.
 Stored Height 2360mm.

Ref: HSM24A (Aisle Unit)

Seats 18 off - Courtside
 Row Rise 245mm
 Row Depth 660mm
 Width 2740mm
 Stored Depth 1165mm.
 Stored Height 2360mm.

Finishes

Seats Standard Maxam colour range.
 Metalwork Satin Black EPC.
 Beams Galvanised
 Decks Grey PVC

Features

- Rolls away to store.
- Efficient storage.
- Rugged - simple to use and maintain.
- Stiff and dynamically correct under-structure.

Accessories

- Side safety rails.
- Intermediate steps - For HSM24A.
- Hot dipped galvanised finish available.

Technical

Please contact our Technical department for a full specification and for application drawings. We offer a free seating solutions design service and welcome the opportunity to input the design of your facility. See over for more detail of this product.



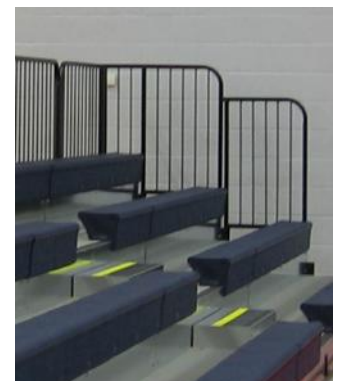
MAXAM 24 Seating System



2 x HSM24 and 1 x HSM24A = 66 seats



HSM24 in Store Position



Side Safety Rails



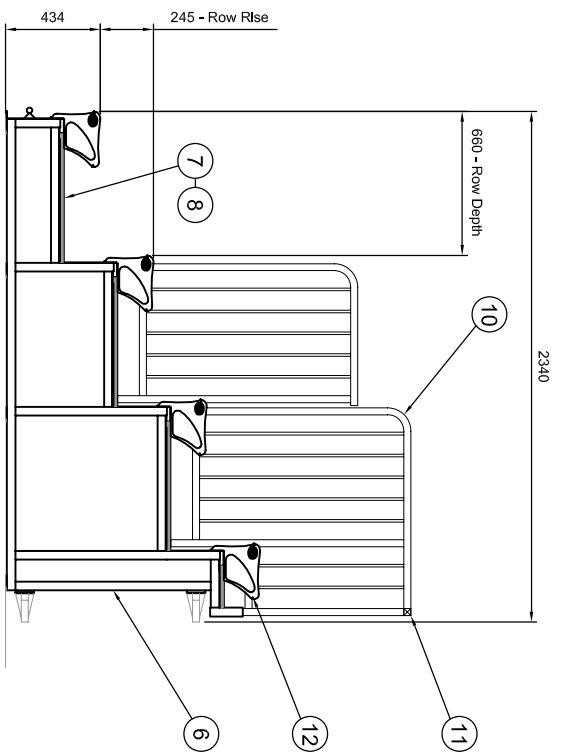
Courtside Seat Unit

Contact Details

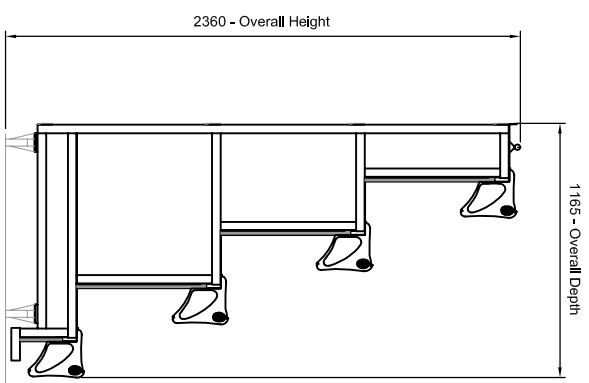
Hussey Seatway Ltd
 3 Centurion Way
 Crusader Park
 Warminster
 Wiltshire
 BA12 8BT

Tel: +44 (0)1985 847200
 Fax: +44 (0)1985 847300

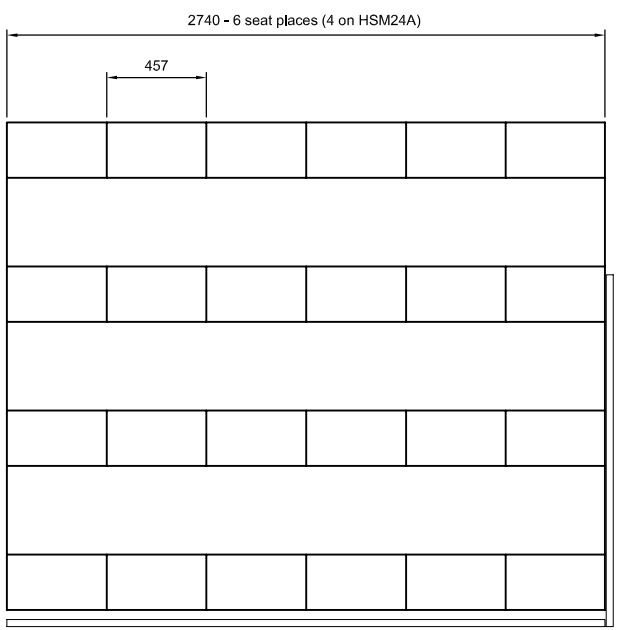
sales@husseyseatway.com



SIDE ELEVATION - Maxam 24 (HSM24)



SIDE ELEVATION
(Unit in Store Position)



PLAN VIEW

SALES SPECIFICATION	
Ref: Description	HSM24 - 24 seats
1 PRODUCT IDENTIFICATION:	HSM24A - 16 seats civ centre aisle
2 ROW RISE:	245 mm.
3 ROW DEPTH:	660 mm.
4 NUMBER OF ROWS:	4 No.
5 REAR PLATFORM:	None
6 PLATFORM STRUCTURE:	SATIN BLACK STANDARD
7 PLATFORM DECKING:	18 mm THICKNESS
8 DECKING FINISH:	Grey PVC (Polyureth)
9 INTERMEDIATE STEPS:	3 no. on HSM24A
10 SIDE RAILS:	ACCESSORY - Specify number required
11 REAR RAILS:	INCLUDED (Standard Equipment)
12 SEAT TYPE:	Maxam COURTSIDE
13 SEAT CENTRES:	457 mm. nominal
TOTAL SEAT QUANTITY:	HSM24 - 24 seats HSM24A - 16 seats

GENERAL TOLERANCE: ± 1.0 mm	
THIS DRAWING IS THE PROPERTY AND COPYRIGHT OF HUSSEY SEATWAY LTD. WRITTEN PERMISSION IS PROHIBITED.	
Rev'd	Revision note
B	
Date	2020/05
Signature	Checked

Hussey Seatway

 PULL IN SEATING SYSTEMS

 Tel: +44 (0)1985 847200

 Fax: +44 (0)1985 847200

 Email: info@husseyseatway.com

Item	Quantity	Material	Designation	Material	Dimension etc.	Article No./Reference
Maxam 24 Roll-away Seating Unit						
Date	19/06/06	Drawn by	SWB	Checked by	At Sell	1-12
					Revision	Sheet
					M24 - 1001	A
						1/1