

Product Specification - SS140 (June 2006)

Hussey Seatway Ltd

CLUB PC Seat

Designed and manufactured in the U.K, the CLUB PC is a premium sized bench seating system designed for use with Hussey **Maxam Plus** and Hussey **Seatway** theatre quality, telescopic platforms. It's simple, manual folding action, is very reliable and closes the back into a small space, allowing a minimum rise per row of just 245mm. CLUB is efficient, robust, simple to operate and will add extra revenue to most facilities.

Applications

CLUB PC provides very comfortable seating with the flexibility of tailoring the seating space to suit young children and larger adults, as required. Designed mainly for use in schools and small theatres, CLUB will also suit multi-purpose venues where durability and good looks are important requirements.

Features

- Seat centres from 420mm.
- Preformed plywood, seat and back structure with fully contoured upholstery.
- Manual folding, bench backrest.
- Steel framed backrest that prevents 'foot' damage from the row behind.
- Veneer or paint finished front fascia boards.
- Specify **Maxam Plus** telescopic platforms with 245mm or 295mm Rise per row and 840mm Row Depth or;
- Specify **Seatway TP**, theatre quality, telescopic platforms with a 260 to 400 Rise per row and 850 to 900mm Row Depth.
- A tread mounted, fixed version is available to complement the CLUB PC.

Finishes

- Seat/back:** Fully upholstered, Bradley 'New Blend' or 'Cambourne Mainline Plus' fabric. Customers own fabric can also be sourced and specified.
- Metalwork:** Satin black, medium texture, epoxy powder coat. Custom colours can be specified when CLUB is specified for use on **Seatway TP** telescopic platforms.

Options

- Seat numbers.
- Aisle letters and numbers.
- Custom colours for backrest frame to co-ordinate with chosen fabric.
- Show wood backrest panels.
- EcoGlo photo-luminescent letters and aisle trim.
- TPCare service and maintenance agreements.

Technical

For all technical details, please see the reverse side of this specification sheet. Maxam and Seatway TP telescopic platform brochures and data sheets are available on request.



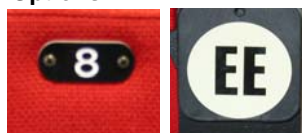
CLUB PC (Fitted to Seatway TP's)



Veneered Fascias at Malvern College.



Options

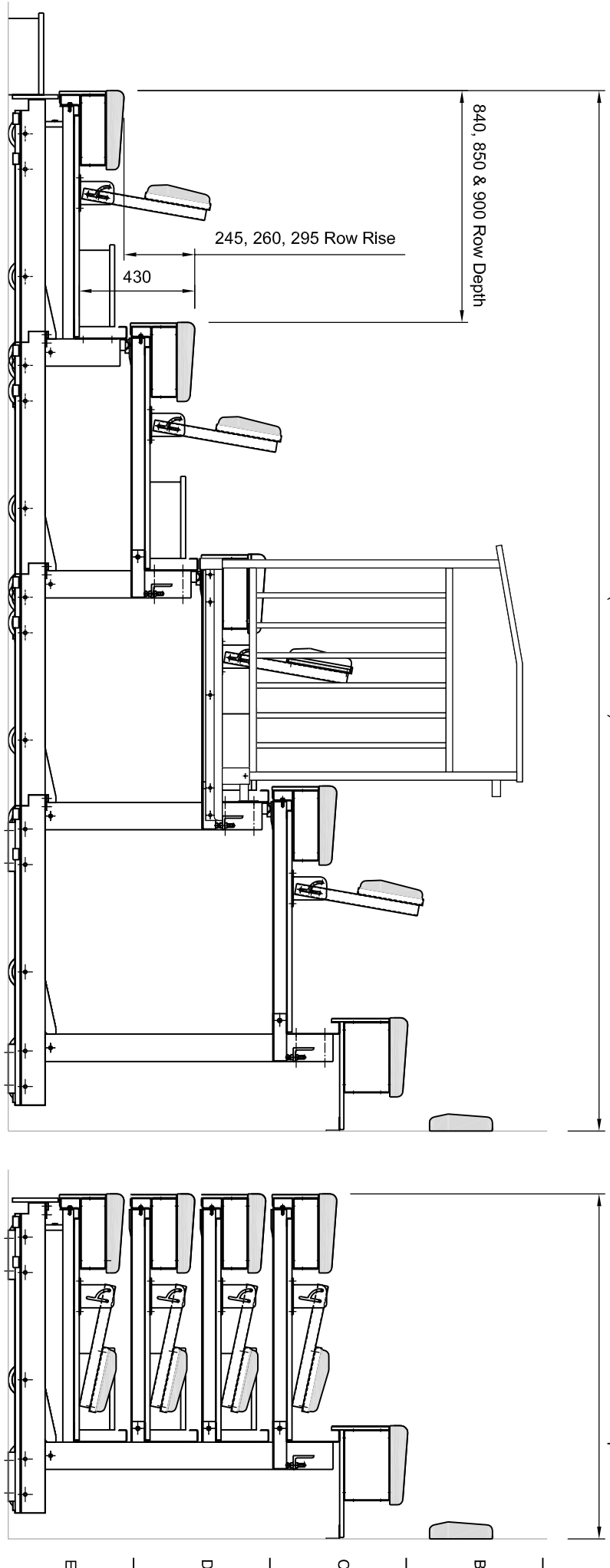


Contact Details

Hussey Seatway Ltd
Roman Way
Crusader Park
Warminster
Wiltshire,
BA12 8SJ
U.K.

Tel: +44 (0)1985 847200
Fax: +44 (0)1985 847300
Info@husseyseatway.com

3 - 20 Rows (5 Rows Shown)



1250 Nom. - Closed Depth

GENERAL TOLERANCE



THIS DRAWING IS THE PROPERTY AND NOT BE LOANED, REPRODUCED, COPIED, OR REPRODUCED WITHOUT WRITTEN PERMISSION IS PROHIBITED.

14 (0)1985 847200
 Fax: +44 (0)1985 847200
 Email: info@musseyseatway.com

Quantity

Article No./Reference

6

7

8

Date	Drawn by	Checked by	A2 Scale
		Rev.	Sheet

A
B
C
D
E
F
G
H