

# ARTS FIXED – available in fixed applications

The Arts Fixed chair is an elegant, contemporary auditorium seating product. Ergonomic comfort and beautiful sculptural lines are just a few of the features that set the Arts apart from the rest. The chair features solid wood armrests as standard with optional panels that further enhance the appearance and specification.

## APPLICATIONS

Whatever the auditorium layout, Arts Fixed chairs provide the design and dimensions you need to make a seating layout that works.

## FEATURES

- 20" to 22.5" seat centres
- Tread and riser mountings
- Suitable for straight and curved row installations
- Preformed birch plywood, seat and back structure with fully contoured upholstery
- Spring activated tipping with a fully enclosed silent stop mechanism
- Solid wood armrests as standard

## OPTIONS

- Seat numbers and row letters
- Custom powder coat colours
- Show wood seat, back and end panels
- LED aisle lights
- Sponsor plaques

## FINISHES

- Fabric from the Laser N range by Fidivi
- Customers own fabric can also be specified
- Metalwork: Satin black powder coat as standard
- Armrests: Solid wood, colour from standard range

## TECHNICAL

For all technical details, please see the reverse side of this specification sheet.  
CAD drawings are available on request.



 **husseyseatway**  
PUBLIC SEATING SYSTEMS



Hussey Seatway Ltd, 3 Centurion Way, Crusader Park, Warminster, Wiltshire, BA12 8BT U.K.

Tel: +44 (0)1985 847200 Fax: +44 (0)1985 847300 [www.husseyseatway.com](http://www.husseyseatway.com) sales@husseyseatway.com

1 2 3 4 5 6 7 8

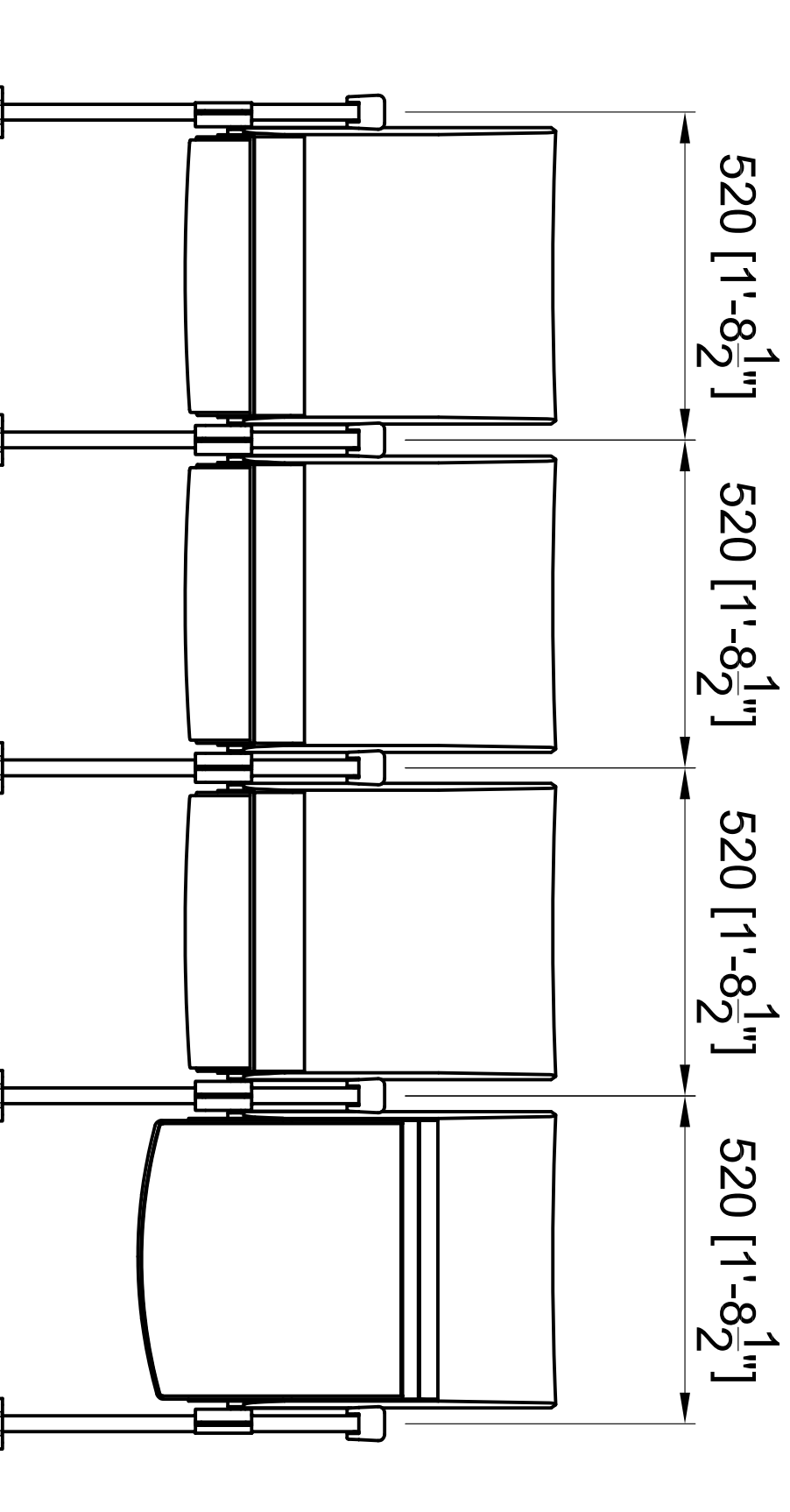
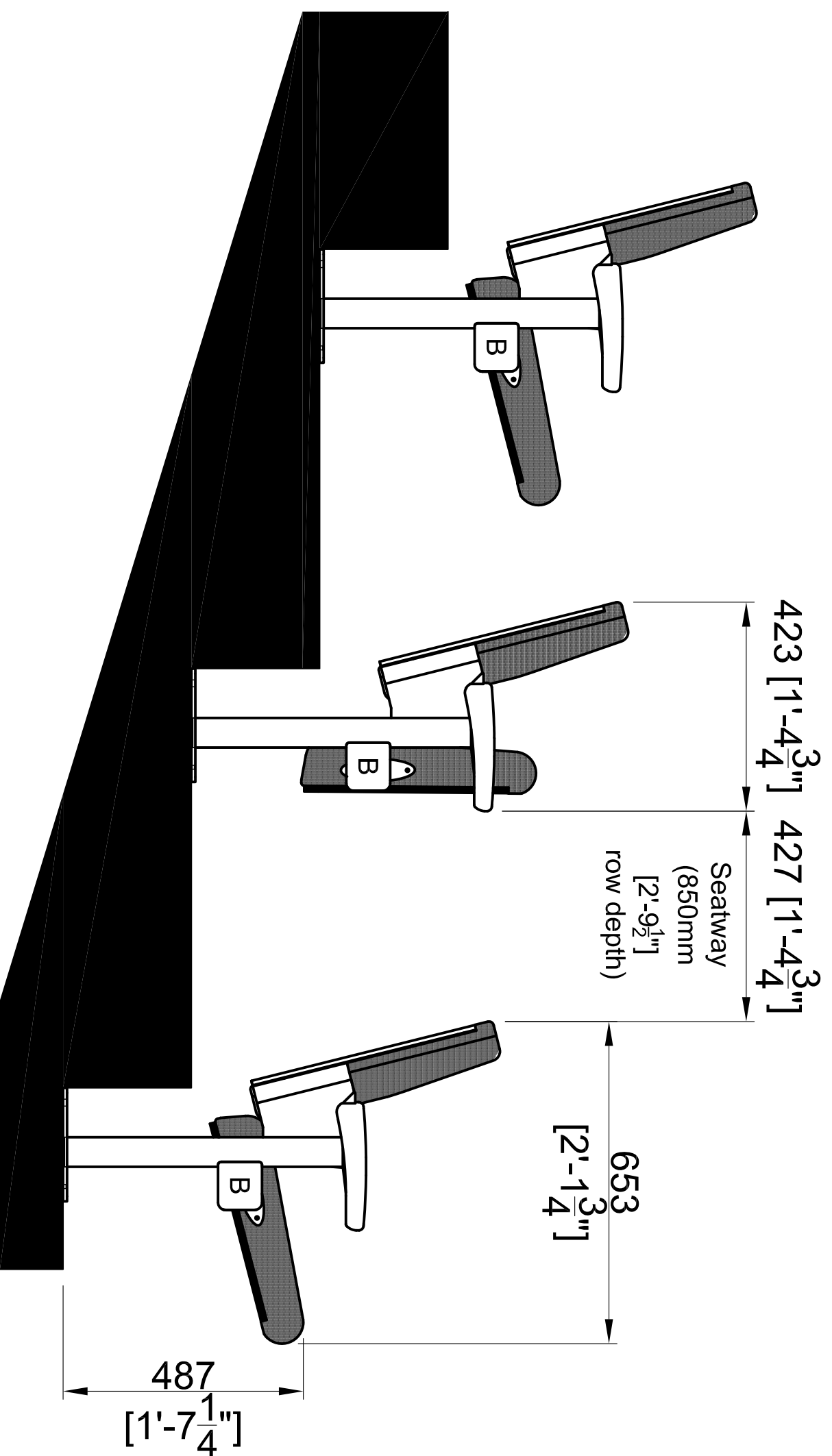
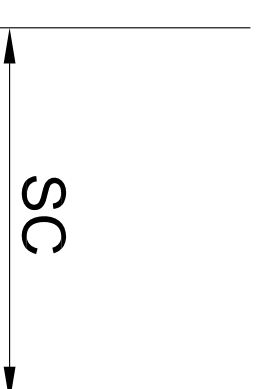
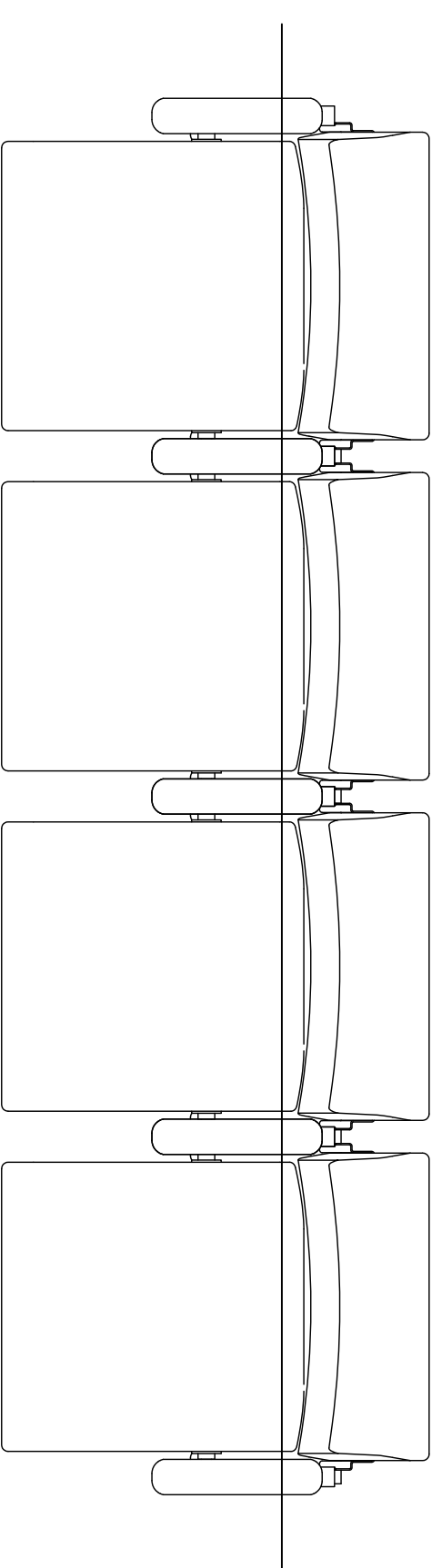
	No Arms	Arms
Min Seat Centre (SC)	N/A	500mm [1'-7 3/4"]
Max Seat Centre (SC)	N/A	560mm [1'-10"]

**Strength & Stability**

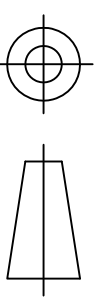
The chair satisfies the requirements of EN 12727:2000.

**Fire Retardency**

The fabric and foam comply with BS 5852:1990 (Source 0, 1, and 5). Other codes or European Standards can be satisfied as required.



GENERAL TOLERANCE  
+ 1 mm



THIS DRAWING IS THE PROPERTY AND COPYRIGHT OF HUSSEY SEATWAY LTD. COPYING OR REPRODUCTION WITHOUT WRITTEN PERMISSION IS PROHIBITED.

© 2014

Tel: +44 (0)1985 847200  
Fax: +44 (0)1985 847300  
Email: info@husseyseatway.com

Itemref	Quantity	Title/Name, designation, material, dimension etc	Article No./Reference
<b>Arts Fixed Chair</b>			

**PRODUCT SPECIFICATION LAYOUT**

**Imperial Version**

A3 Scale

1:15