

ARTS FIXED – available in fixed applications

The Arts Fixed chair is an elegant, contemporary auditorium seating product. Ergonomic comfort and beautiful sculptural lines are just a few of the features that set the Arts apart from the rest. The chair features solid wood armrests as standard with optional panels that further enhance the appearance and specification.

APPLICATIONS

Whatever the auditorium layout, Arts Fixed chairs provide the design and dimensions you need to make a seating layout that works.

FEATURES

- 500mm to 560mm seat centres
- Tread and riser mountings
- Suitable for straight and curved row installations
- Preformed birch plywood, seat and back structure with fully contoured upholstery
- Spring activated tipping with a fully enclosed silent stop mechanism
- Solid wood armrests as standard

OPTIONS

- Seat numbers and row letters
- Custom powder coat colours
- Show wood seat, back and end panels
- LED aisle lights
- Sponsor plaques

FINISHES

- Fabric from the Laser N range by Fidivi
- Customers own fabric can also be specified
- Metalwork: Satin black powder coat as standard
- Armrests: Solid wood, colour from standard range

TECHNICAL

For all technical details, please see the reverse side of this specification sheet.
CAD drawings are available on request.



 **husseyseatway**
PUBLIC SEATING SYSTEMS



Hussey Seatway Ltd, 3 Centurion Way, Crusader Park, Warminster, Wiltshire, BA12 8BT U.K.
Tel: +44 (0)1985 847200 Fax: +44 (0)1985 847300 www.husseyseatway.com sales@husseyseatway.com

1 2 3 4 5 6 7 8

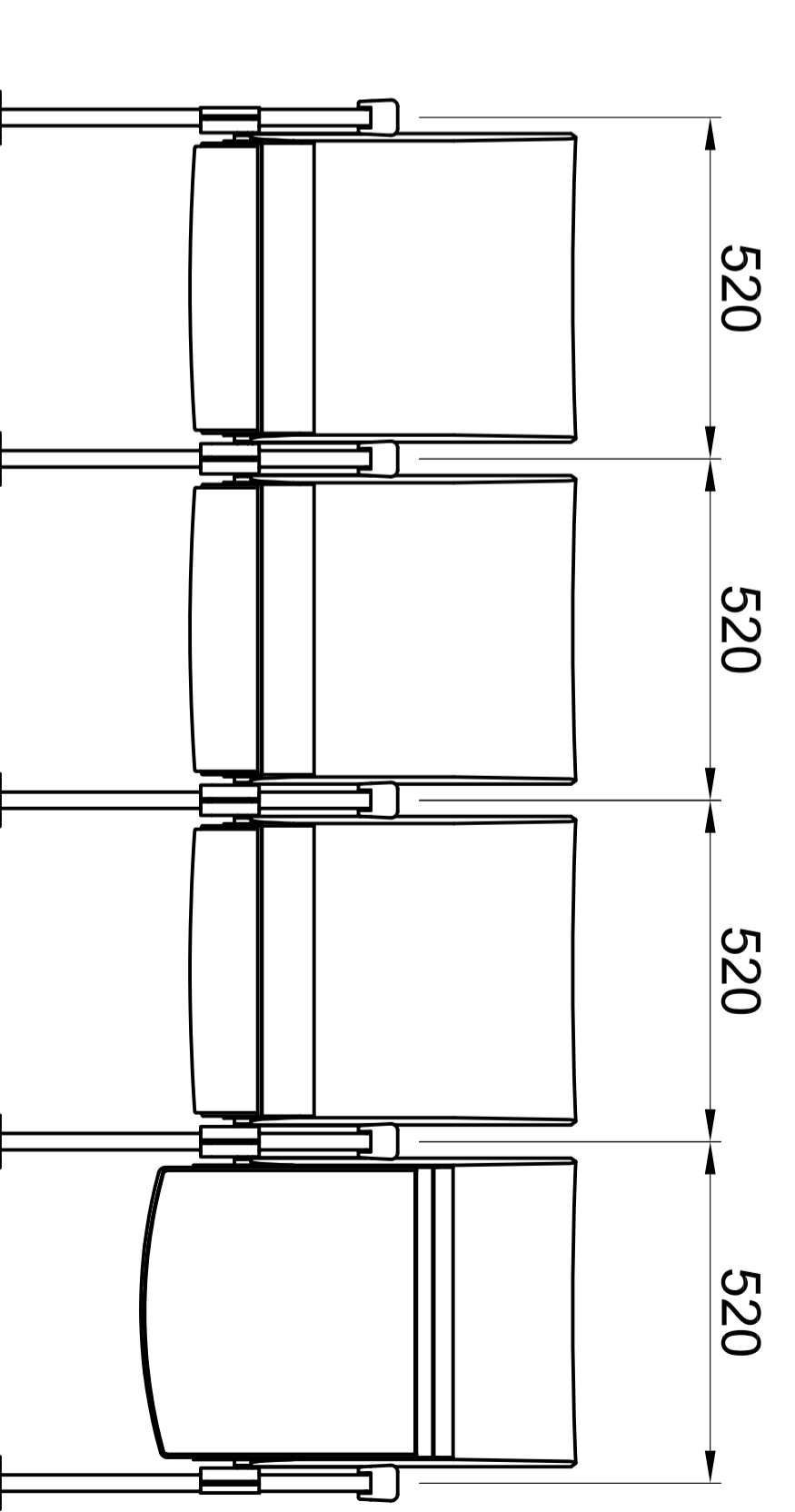
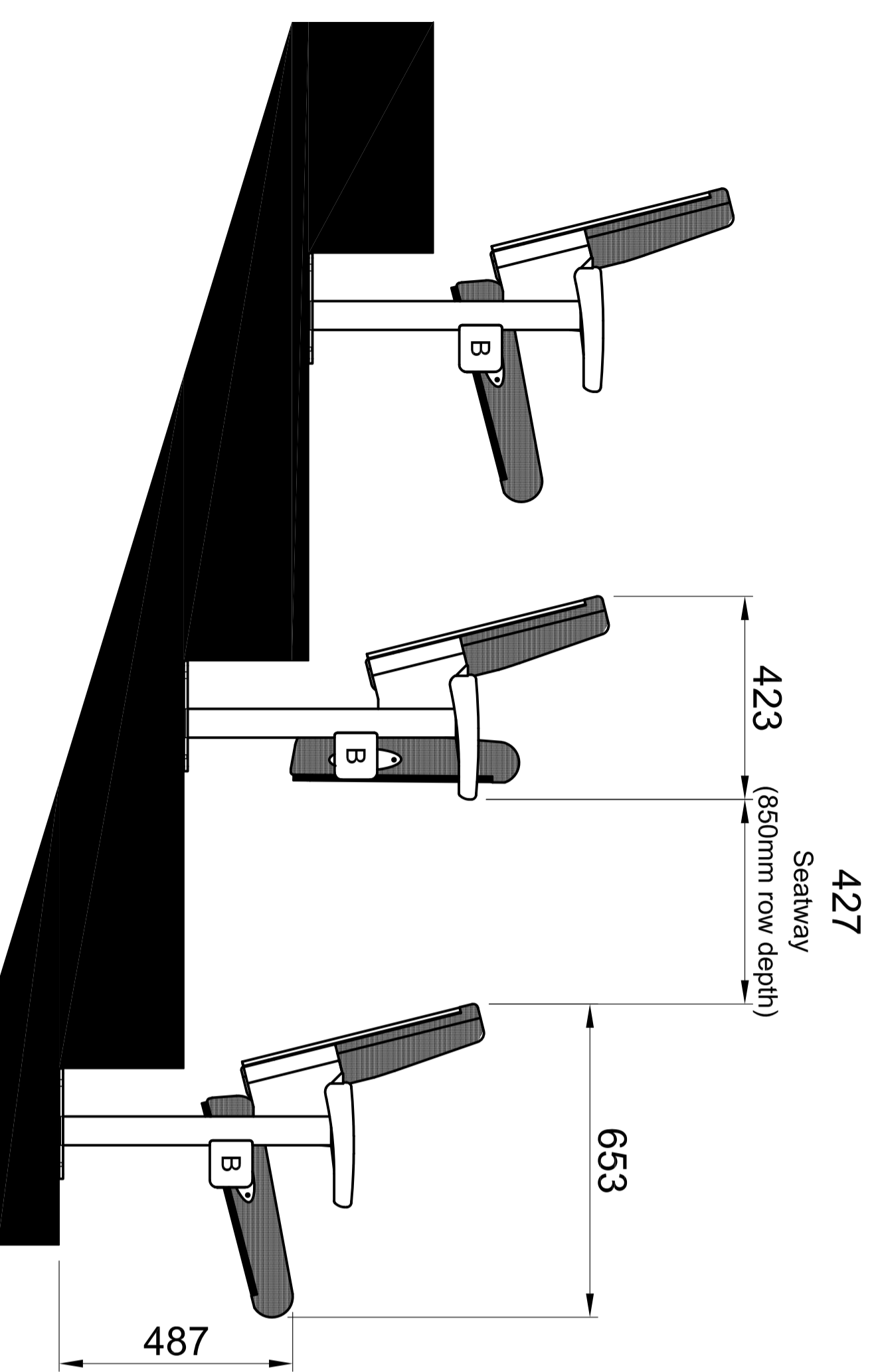
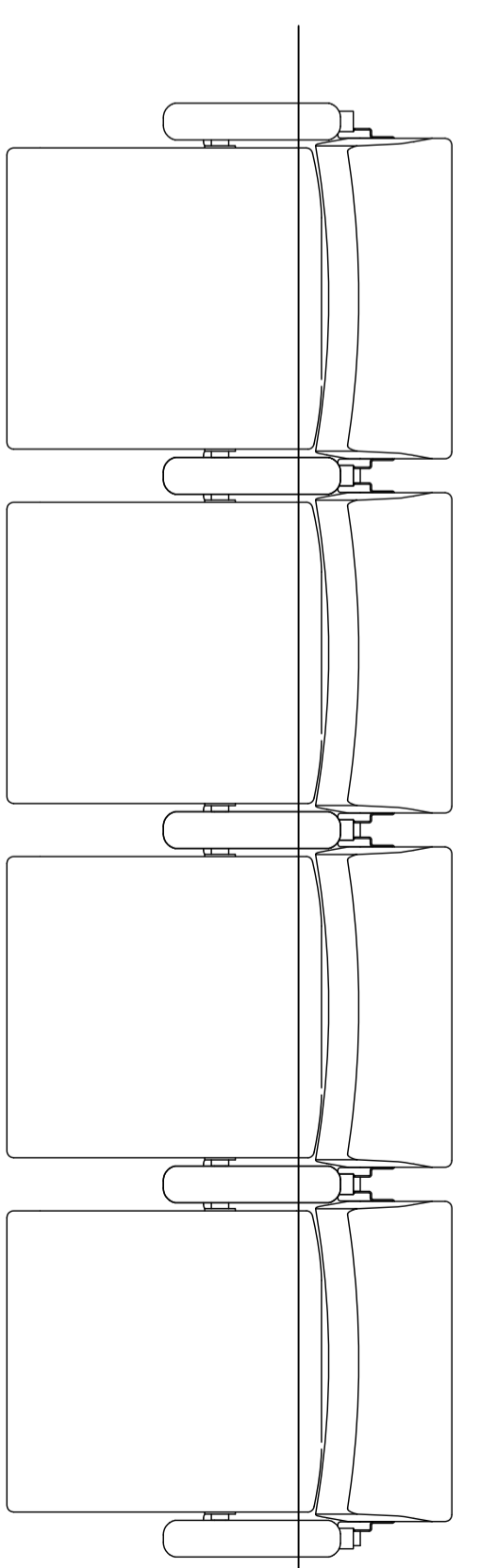
	No Arms	Arms
Min Seat Centre (SC)	N/A	500mm
Max Seat Centre (SC)	N/A	560mm

Strength & Stability

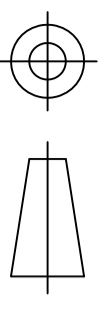
The chair satisfies the requirements of EN 12727:2000.

Fire Retardency

The fabric and foam comply with BS 5852:1990 (Source 0, 1, and 5). Other codes or European Standards can be satisfied as required.



GENERAL TOLERANCE
+ 1 mm



Husseyseatway
PUBLIC SEATING SYSTEMS

THIS DRAWING IS THE PROPERTY AND COPYRIGHT OF HUSSEY SEATWAY LTD. COPYING OR REPRODUCTION WITHOUT WRITTEN PERMISSION IS PROHIBITED. © 2014

Tel: +44 (0)1985 847200
Fax: +44 (0)1985 847300
Email: info@husseyseatway.com

Itemref	Quantity	Title/Name, designation, material, dimension etc	Article No./Reference
Arts Fixed Chair			

PRODUCT SPECIFICATION LAYOUT

Metric Version

A3 Scale

1:15

1 2 3 4 5 6 7 8