

# CENTURA – available in retractable, fixed and flat floor applications

Centura is versatile, durable chair that offers excellent levels of comfort. The modern design incorporates a rail based attachment enabling variable seat spacing's to be achieved. Centura is certified to the highest strength test level (Level 4: severe) allowing it to perform in the most demanding of environments. The product provides excellent value for money and can be easily upgraded with the addition of upholstered pads.

## APPLICATIONS

A low maintenance and long lasting chair perfect for use in schools, colleges, sports and multi-purpose halls.

## FEATURES

- Multi seat centres from 460mm
- Rail mounting allows equal spacing of seat modules, justification of rows and replacement of complete seat modules in seconds
- Available with or without auto tip armrests
- Upholstered pads can be replaced quickly and economically
- Fully enclosed tipping mechanism that cannot trap fingers or clothing
- Designed for use on telescopic platforms with at least 244mm row rise and 838mm row depth
- Fixed & Flat Floor versions also available

## OPTIONS

- Seat numbers and row letters
- Auto-tip polymer or upholstered armrests
- Cup holders
- Integral folding Scribe writing tablets
- Coloured polymer mouldings

## FINISHES

- Seat/back: Black (RAL 9004) polymer mouldings as standard
- Fabric from the Laser N range by Fividi
- Customers own choice of fabric can also be specified
- Armrests: polymer or upholstered

## TECHNICAL

For all technical details, please see the reverse side of this specification sheet.

CAD drawings are available on request.



Hussey Seatway Ltd, 3 Centurion Way, Crusader Park, Warminster, Wiltshire, BA12 8BT U.K.

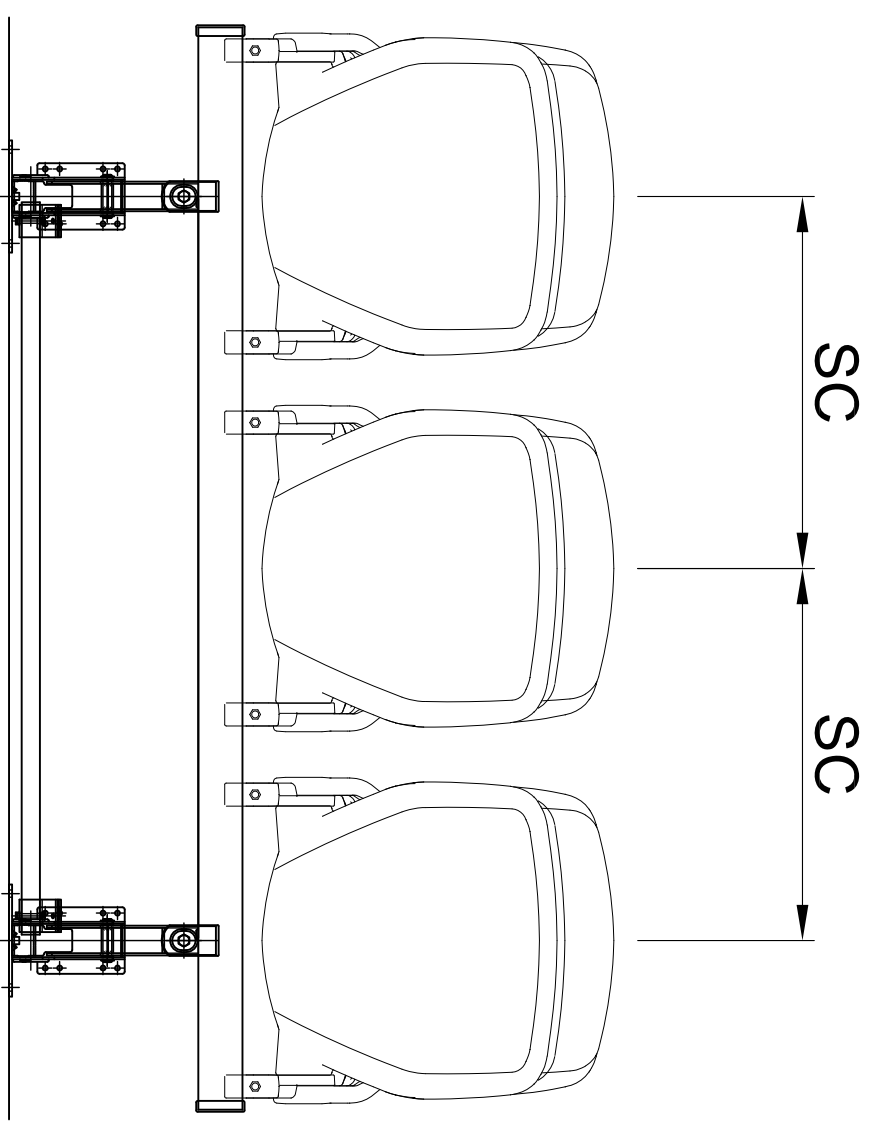
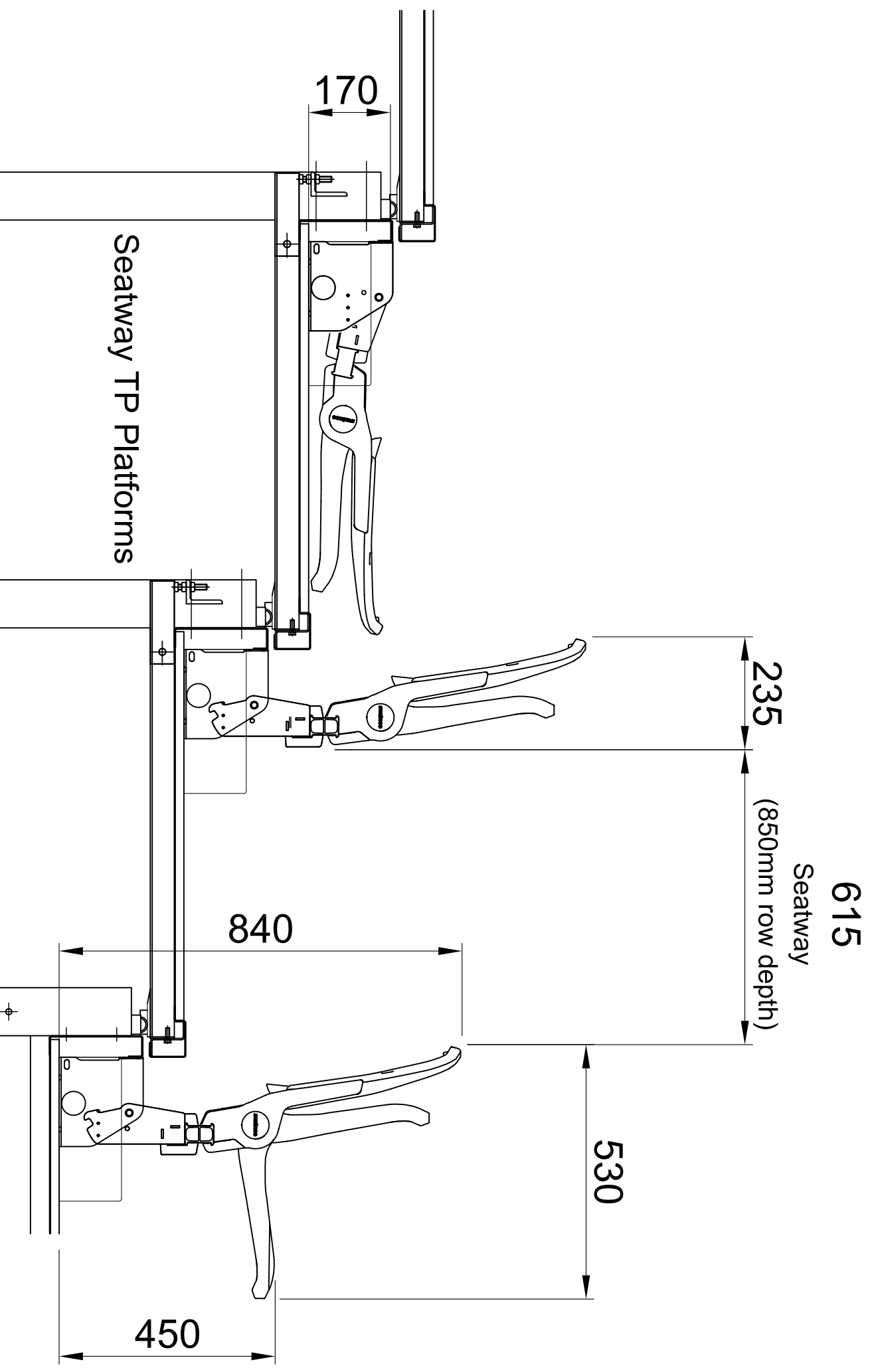
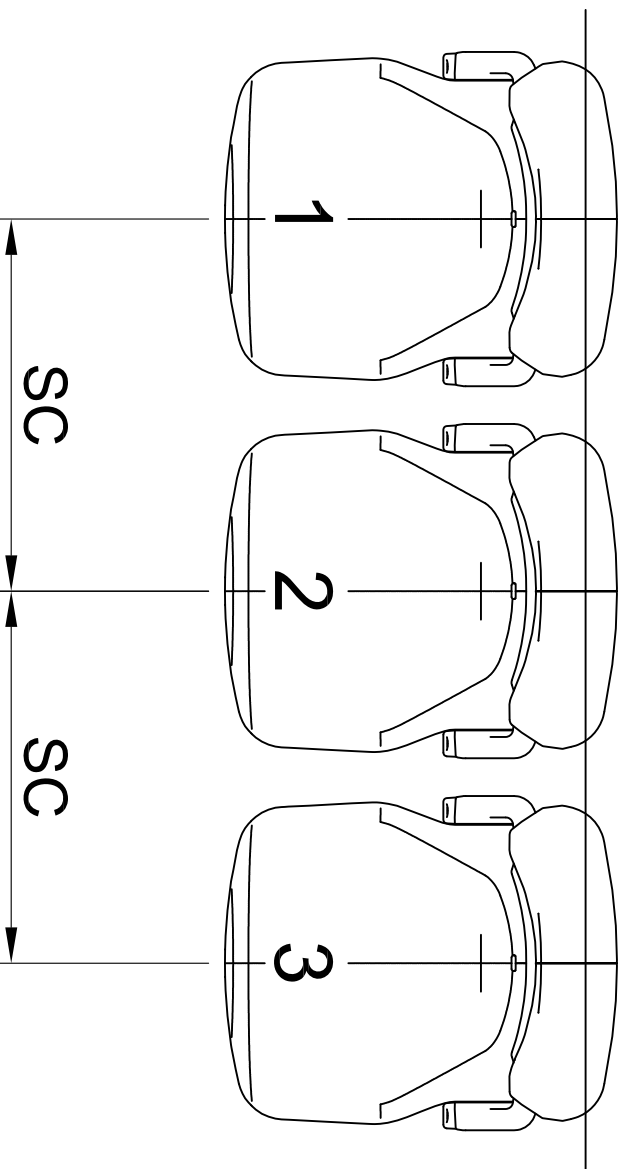
Tel: +44 (0)1985 847200 Fax: +44 (0)1985 847300 [www.husseyseatway.com](http://www.husseyseatway.com) sales@husseyseatway.com

1 2 3 4 5 6 7 8

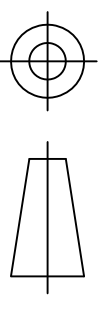
No Arms	Arms	Scribe
Min Seat Centre (SC)	460mm	490mm
Min Row Rise	245mm	245mm

**Strength & Stability**  
 The chair satisfies the requirements of EN 12727:2000.

**Fire Retardency**  
 The fabric and foam comply with BS 5852:1990 (Source 0, 1, and 5). Other codes or European Standards can be satisfied as required.



**GENERAL TOLERANCE**  
 + 1 mm



**Husseyseatway**  
 PUBLIC SEATING SYSTEMS

THIS DRAWING IS THE PROPERTY AND COPYRIGHT OF HUSSEY SEATWAY LTD. COPYING OR REPRODUCTION WITHOUT WRITTEN PERMISSION IS PROHIBITED. © 2014

Tel: +44 (0)1985 847200  
 Fax: +44 (0)1985 847300  
 Email: info@husseyseatway.com

Itemref	Quantity	Title/Name, designation, material, dimension etc	Article No./Reference
---------	----------	--	-----------------------

Centura - No Arms

**PRODUCT SPECIFICATION LAYOUT**

**Metric Version**

A3 Scale

1:15

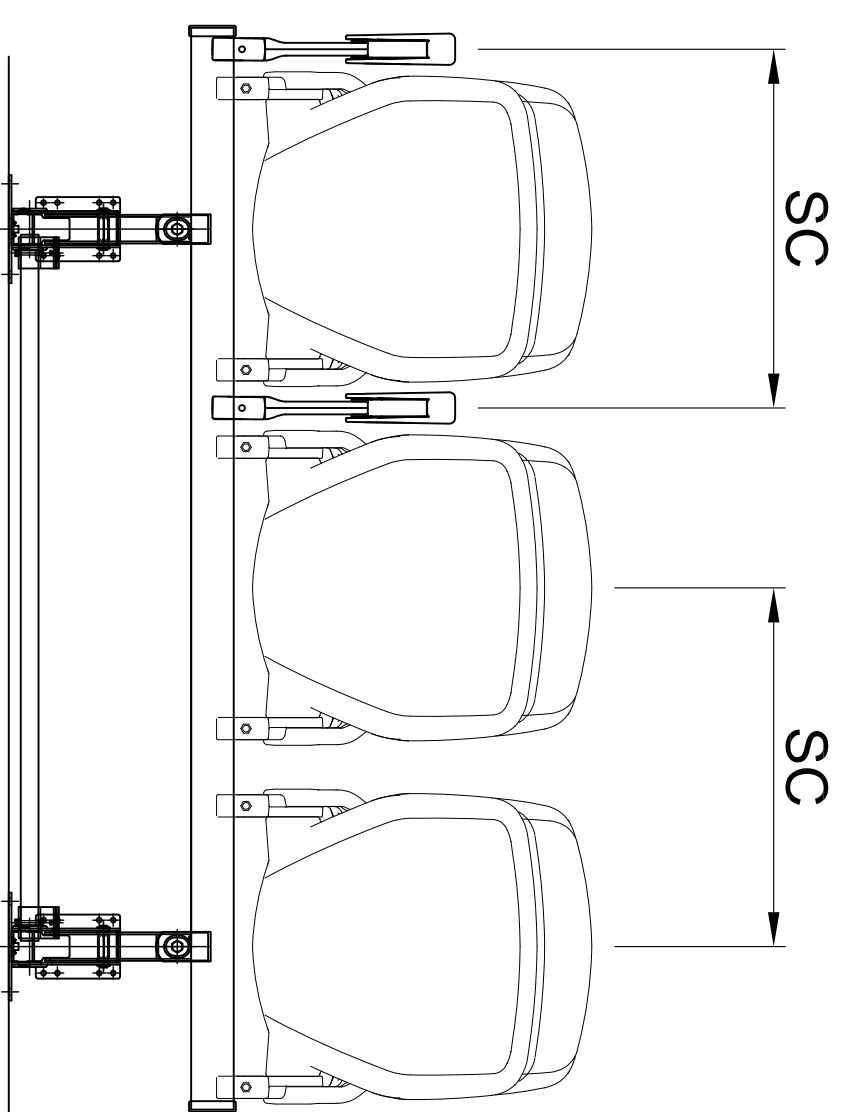
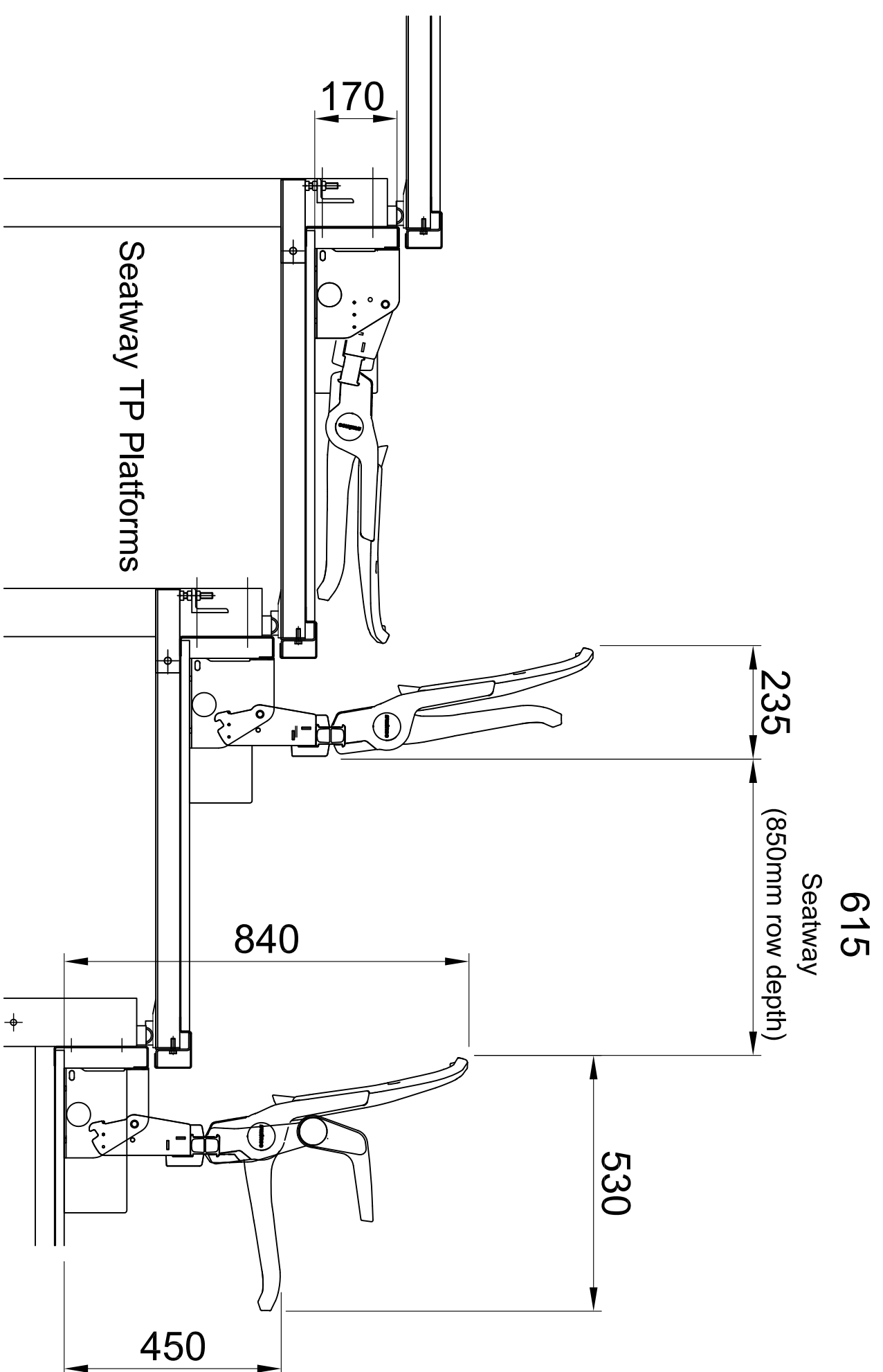
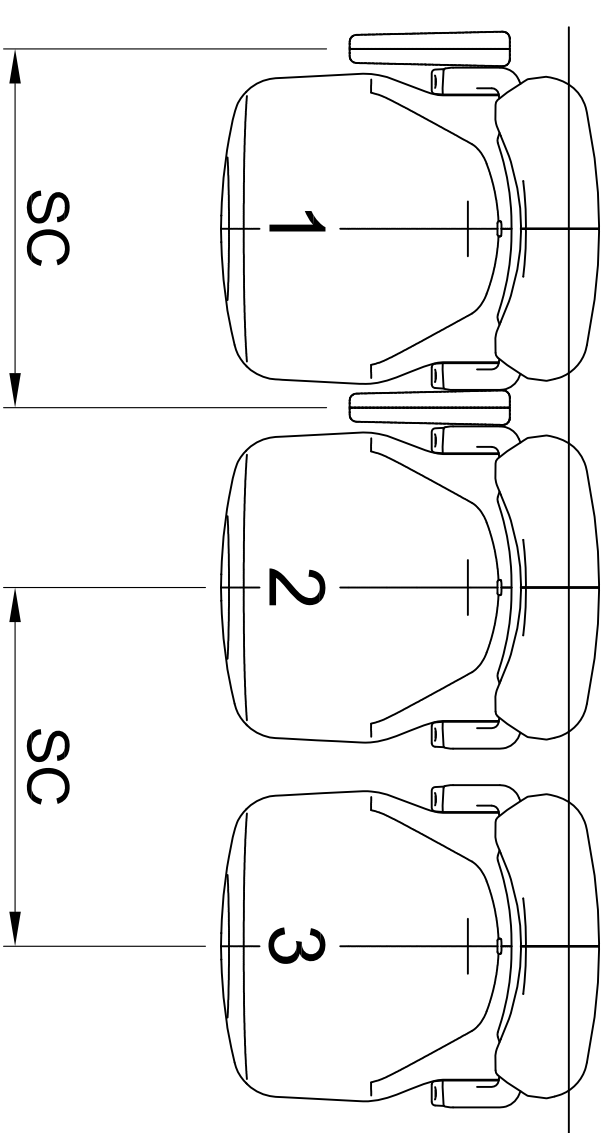
1 2 3 4 5 6 7 8

1	2	3	4	5	6	7	8
RevNo	Revision note	Date	Signature	Checked			

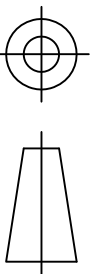
No Arms	Arms	Scribe
Min Seat Centre (SC)	460mm	490mm
Min Row Rise	245mm	245mm

**Strength & Stability**  
The chair satisfies the requirements of EN 12727:2000.

**Fire Retardancy**  
The fabric and foam comply with BS 5852:1990 (Source 0, 1, and 5). Other codes or European Standards can be satisfied as required. Applies to plastic, fabric and foam.



GENERAL TOLERANCE  
+ 1 mm



THIS DRAWING IS THE PROPERTY AND COPYRIGHT OF HUSSEY SEATWAY LTD. COPYING OR REPRODUCTION WITHOUT WRITTEN PERMISSION IS PROHIBITED. © 2016

Tel: +44 (0)1985 847200  
Fax: +44 (0)1985 847300  
Email: info@husseyseatway.com

Itemref	Quantity	Title/Name, designation, material, dimension etc	Article No./Reference
---------	----------	--	-----------------------

Centura Chair

PRODUCT SPECIFICATION LAYOUT

Metric Version

A3 Scale  
1:15  
1/1