

# CLUB BENCH – available in retractable and fixed applications

Club Bench is a premium specification upholstered bench and backrest seating system designed for use with Hussey Maxam Plus and Seatway TP theatre quality retractable platforms. The product features a full depth backrest providing optimum support for the audience. The efficient design enables the product to be used on a minimum retractable row rise of  $9\frac{5}{8}$ ".

## APPLICATIONS

The Club Bench provides comfortable seating with the flexibility of tailoring the seating space to suit children and adults, as required. Designed for use in schools and theatres, the Club Bench will also suit multi-purpose venues where flexibility and good aesthetics are important.

## FEATURES

- Seat centres from 18"
- Preformed plywood, seat and back structure with fully contoured foam and upholstery
- Manual folding backrest
- Steel framed backrest frame that prevents foot damage from the occupants on the row behind
- Integral fascia board
- Specify Maxam Plus telescopic platforms with  $9\frac{5}{8}$ " or  $11\frac{6}{8}$ " rise and 33" row depth (or)
- Specify Seatway TP, theatre quality, retractable platforms with a  $10\frac{1}{4}$ " to  $15\frac{6}{8}$ " rise and  $33\frac{1}{2}$ " row depth or greater
- A tread mounted, fixed version is available

## OPTIONS

- Available without backrests for narrow row depths
- Seat numbers and row letters
- Custom powder coat colours
- Sponsor plaques

## FINISHES

- Fabric from the Laser Ni range by Fidivi
- Customers own choice of fabric can also be specified
- Metalwork: Satin back powder coat
- Laminate veneer or painted fascia

## TECHNICAL

For all technical details, please see the reverse side of this specification sheet.

CAD drawings are available on request.



 **husseyseatway**  
PUBLIC SEATING SYSTEMS

Hussey Seatway Ltd, 3 Centurion Way, Crusader Park, Warminster, Wiltshire, BA12 8BT U.K.

Tel: +44 (0)1985 847200 Fax: +44 (0)1985 847300 [www.husseyseatway.com](http://www.husseyseatway.com) sales@husseyseatway.com



|                       | Minimum           | Maximum            |
|-----------------------|-------------------|--------------------|
| Seat Centre (SC)      | 450mm [1'-5 3/4"] | N/A                |
| Row Rise (Seatway TP) | 260mm [10" 1/4"]  | 340mm [1'-1 1/2"]* |
| Row Rise (Maxam Plus) | 244mm [9 1/2"]    | 295mm [1'1 1/2"]   |

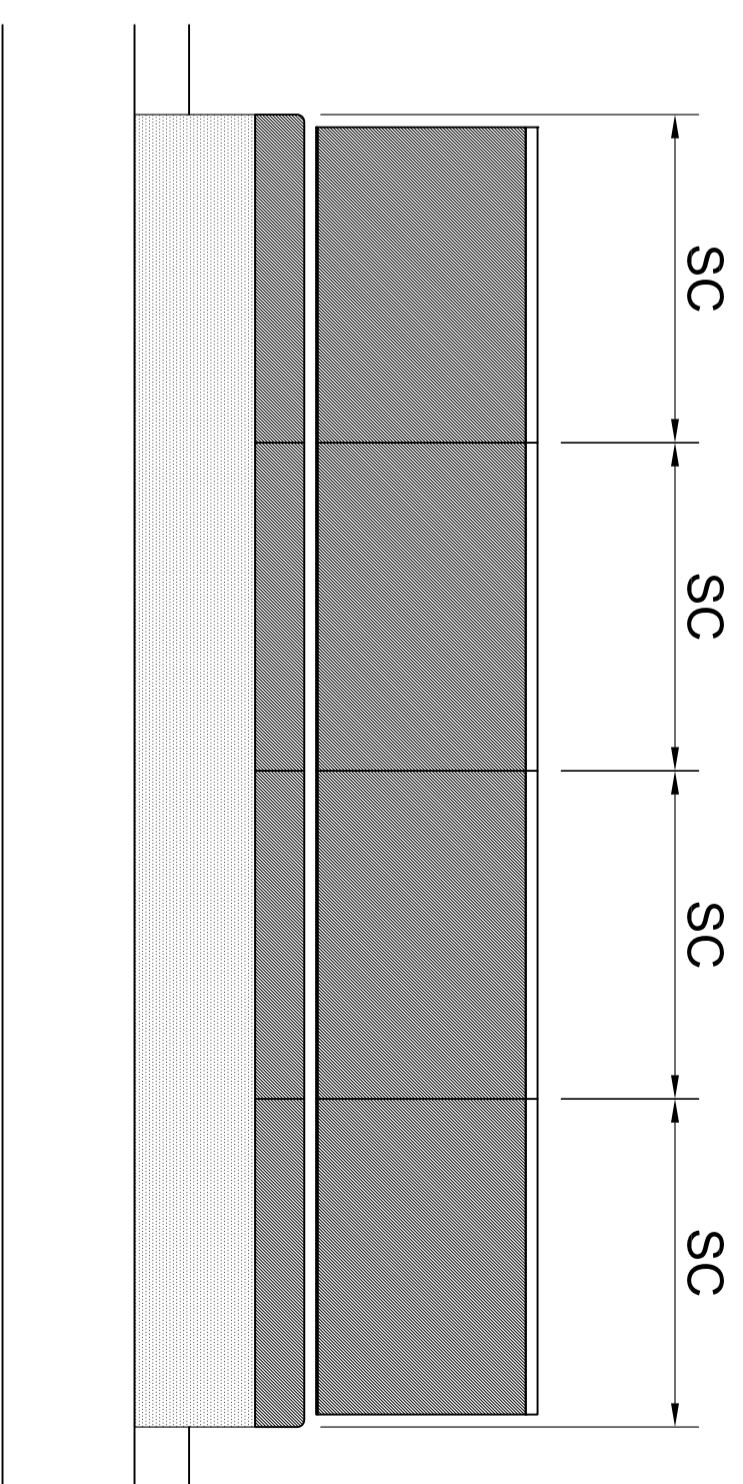
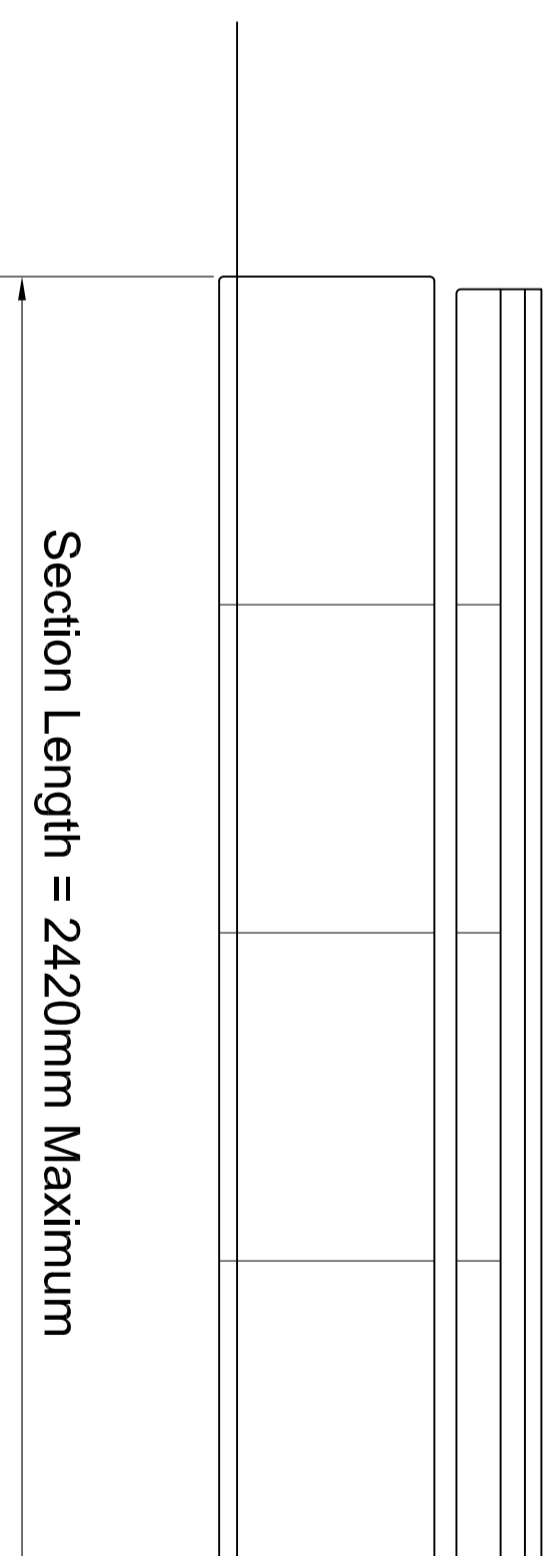
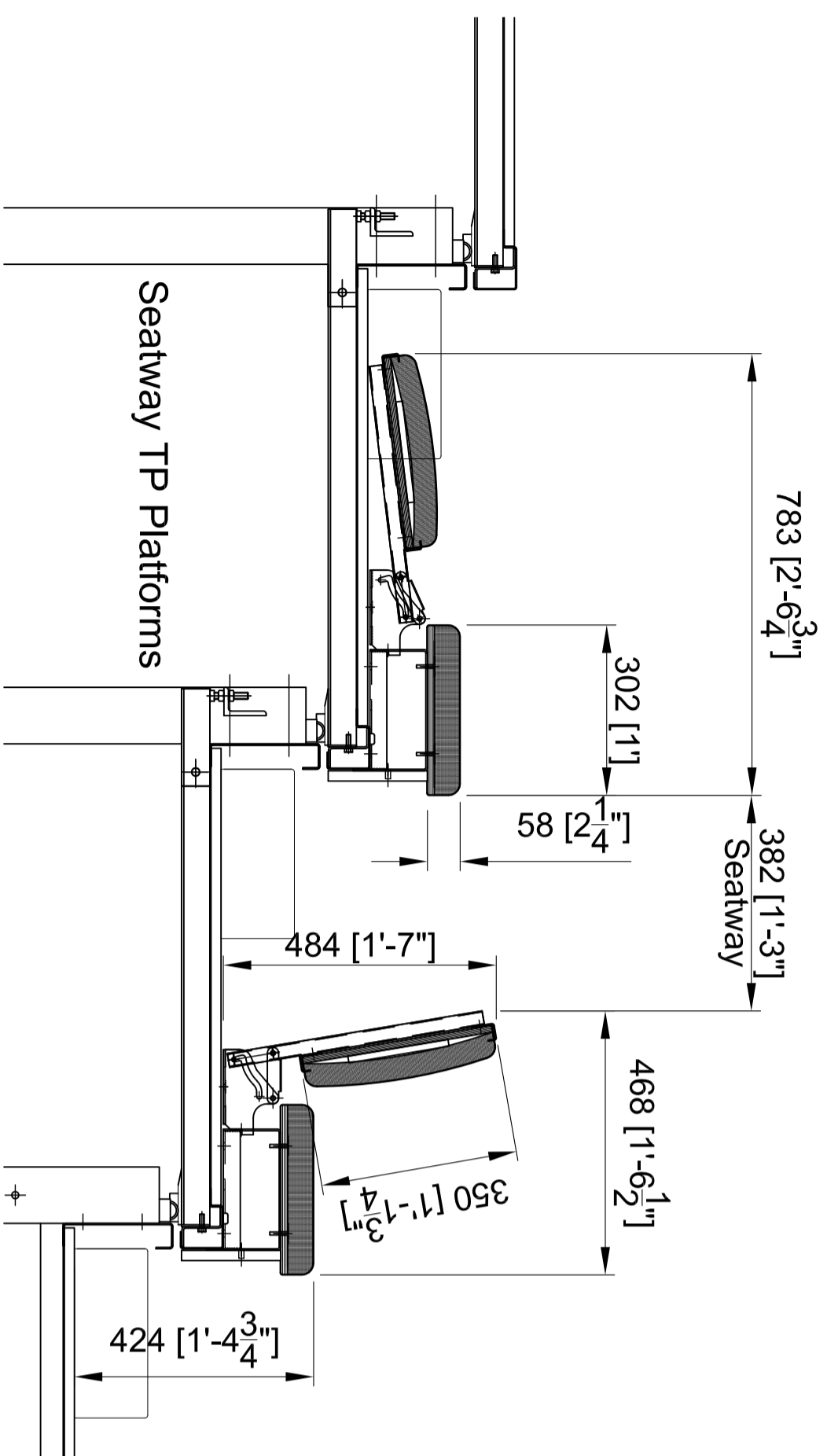
\*Custom bench available for rises exceeding 340mm

**Strength & Stability**

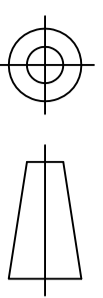
The chair satisfies the requirements of EN 12727:2000.

**Fire Retardancy**

The fabric and foam comply with BS 5852:1990 (Source 0, 1, and 5). Other codes or European Standards can be satisfied as required.



GENERAL TOLERANCE  
+ 1 mm



THIS DRAWING IS THE PROPERTY AND COPYRIGHT OF HUSSEY SEATWAY LTD. COPYING OR REPRODUCTION WITHOUT WRITTEN PERMISSION IS PROHIBITED. © 2014

Public Seating Systems  
Tel: +44 (0)1985 847200  
Fax: +44 (0)1985 847300  
Email: info@husseyseatway.com

| Itemref | Quantity | Title/Name, designation, material, dimension etc | Article No./Reference |
|---------|----------|--|-----------------------|
|---------|----------|--|-----------------------|

Club bench

PRODUCT SPECIFICATION

Imperial Version

A3 Scale  
1:15

LAYOUT