

COURTSIDE – available in retractable & fixed applications

Courtside is an ergonomically designed sport seat module that offers a high level of comfort and a stylish design. It is formed from one piece of injection moulded polymer, making it exceptionally robust and durable, and the perfect seating solution for sports facilities and schools. It is compatible with Maxam and Seatway TP retractable platforms of fixed tier arrangements.

APPLICATIONS

The Courtside is the perfect choice for any facility looking for enhanced spectator comfort, architectural design appeal, safe, reliable product performance and exceptional value.

FEATURES

- Ergonomic contoured design
- Features a gradual waterfall curve on the front edge for enhanced comfort
- Seat standard width of 457mm
- Available with a polymer of fully upholstered backrest
- Manufactured from 100% recyclable materials
- Available for attachment on retractable platforms or fixed tiers

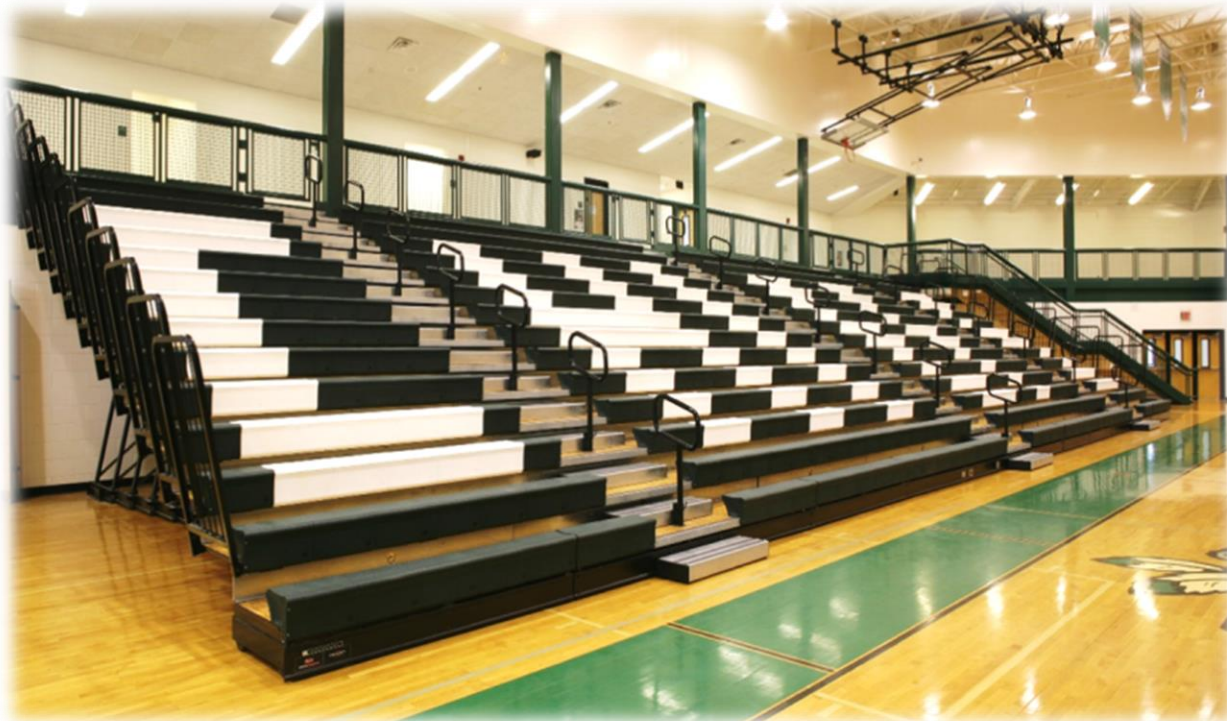
OPTIONS

- Available in 15 standard colours
- Seat depth of either 254mm or 305mm
- Seat numbers and aisle letters
- Signature graphic logos

TECHNICAL

For all technical details, please see the reverse side of this specification sheet.

CAD drawings are available on request.



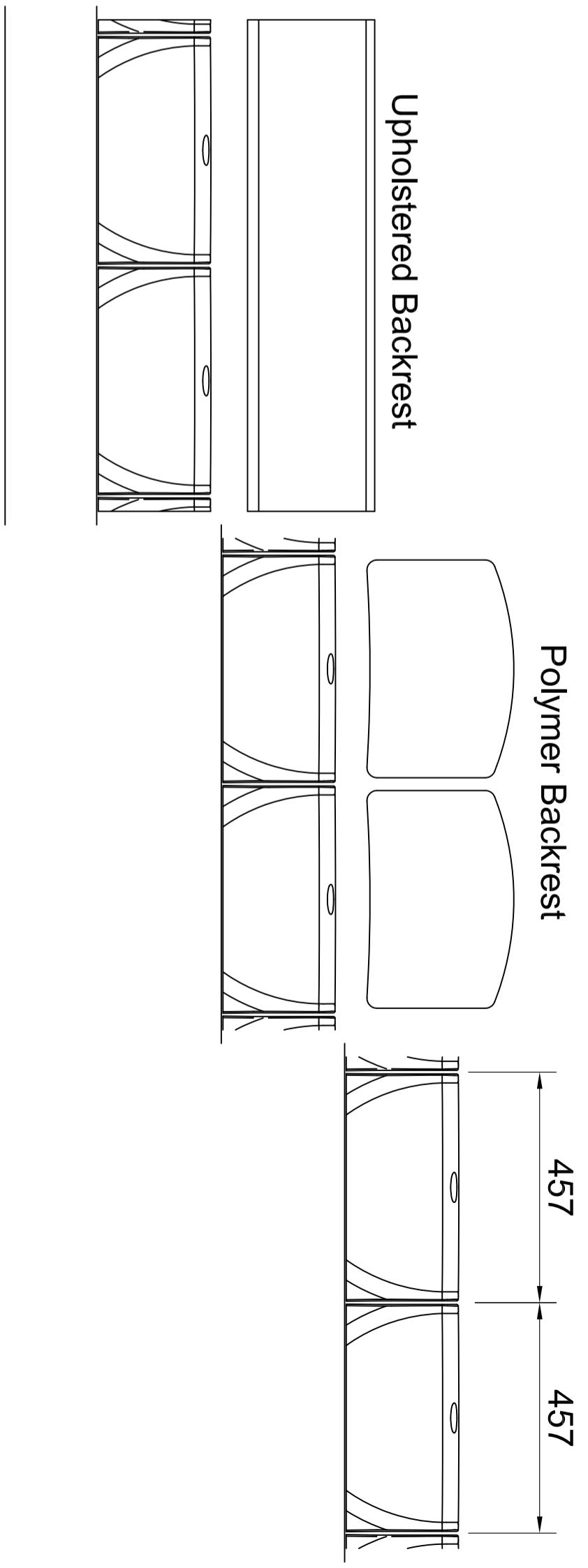
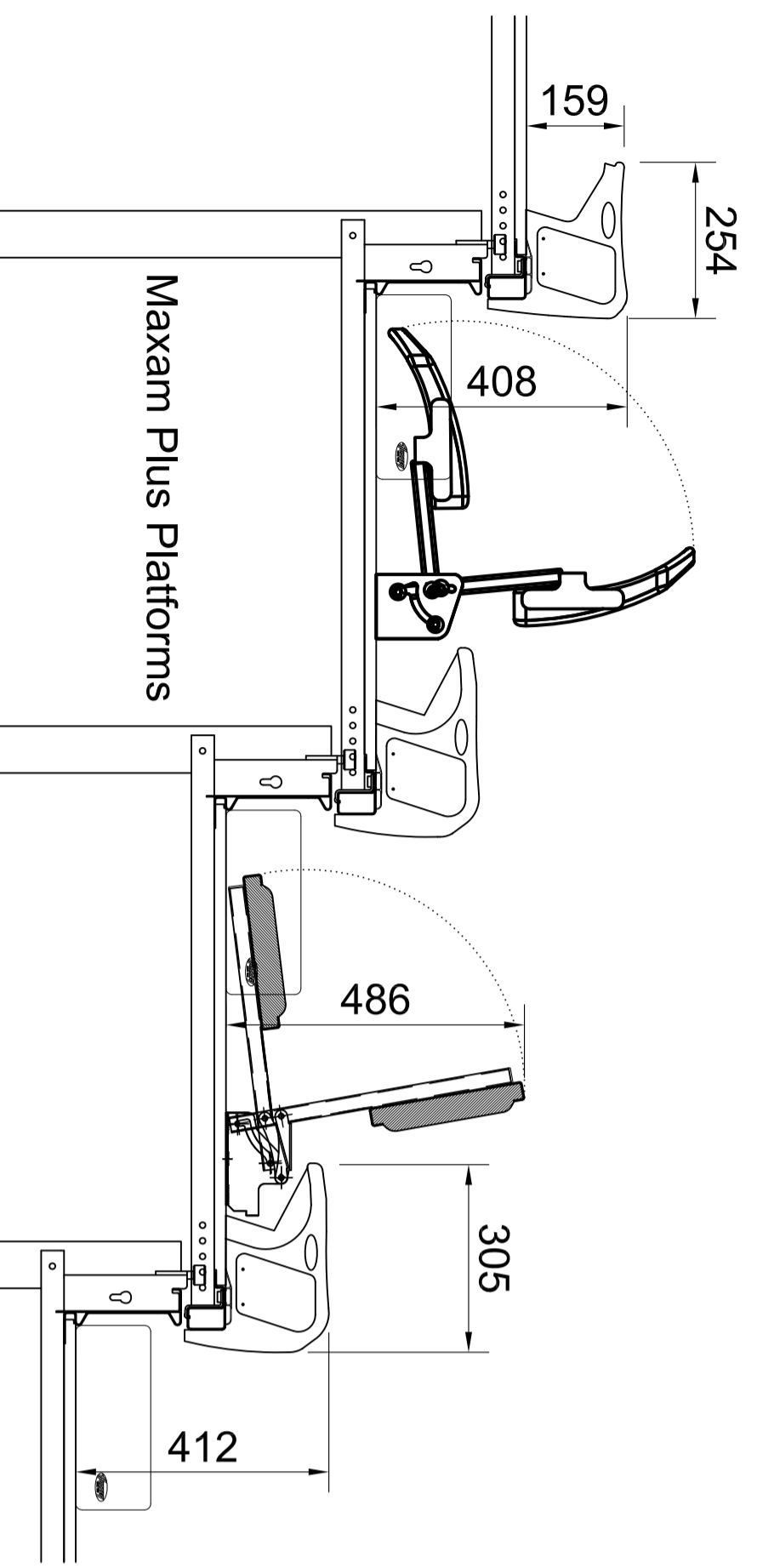
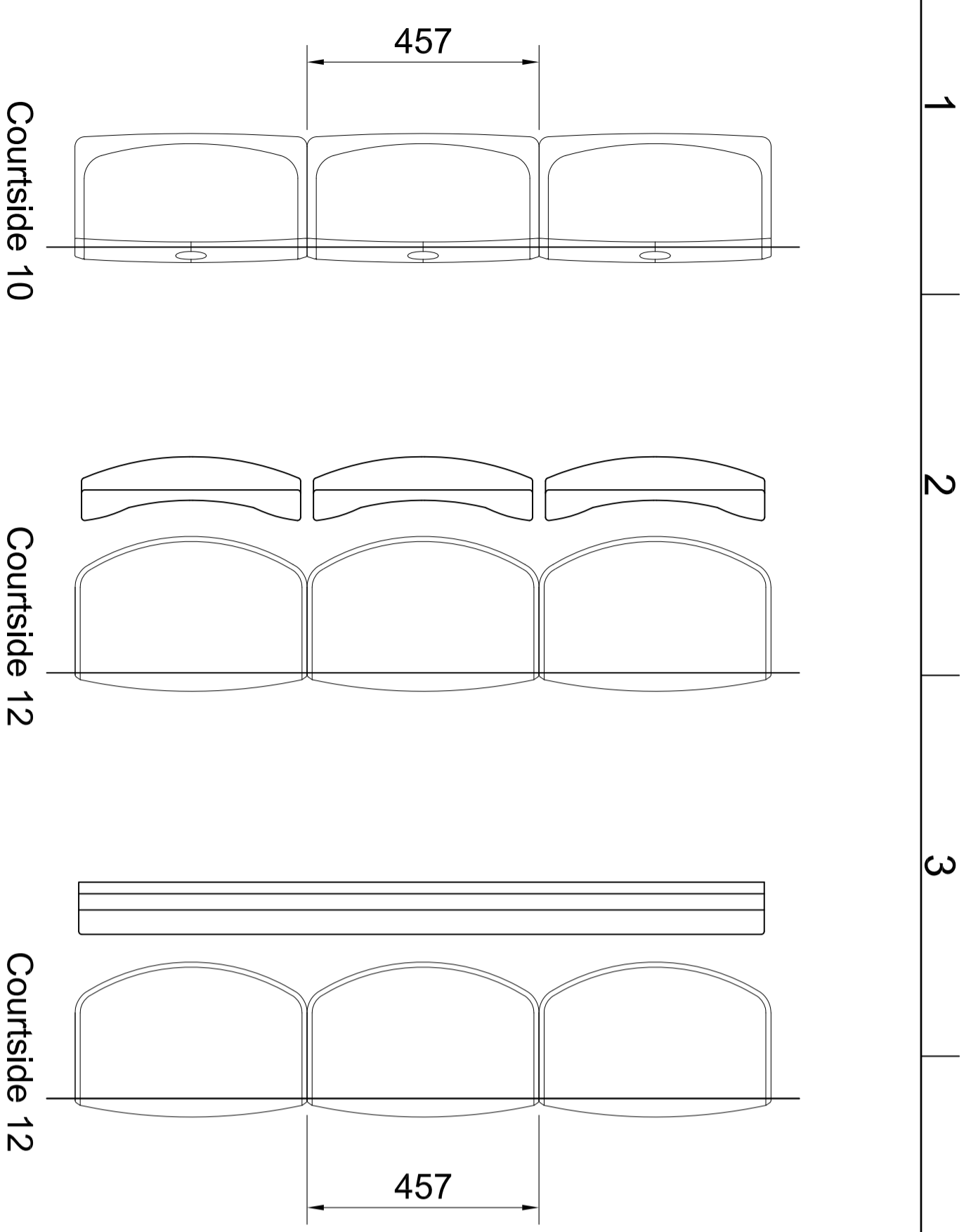
HUSSEY SINCE 1835 **husseyseatway**
PUBLIC SEATING SYSTEMS



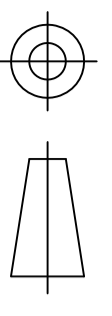
Hussey Seatway Ltd, 3 Centurion Way, Crusader Park, Warminster, Wiltshire, BA12 8BT U.K.

Tel: +44 (0)1985 847200 Fax: +44 (0)1985 847300 www.husseyseatway.com sales@husseyseatway.com

	Row Rise	Row Depth
Courtside 10 or 12	244 or 295mm	610mm Min
With Upholstered Backrest	244 or 295mm	838mm Min
With Polymer Backrest	244 or 295mm	838mm Min



GENERAL TOLERANCE
+ 1 mm



THIS DRAWING IS THE PROPERTY AND COPYRIGHT OF HUSSEY SEATWAY LTD. COPYING OR REPRODUCTION WITHOUT WRITTEN PERMISSION IS PROHIBITED. © 2014

Tel: +44 (0)1985 847200
Fax: +44 (0)1985 847300
Email: info@husseyseatway.com

Itemref	Quantity	Title/Name, designation, material, dimension etc	Article No./Reference
Courtside Bench			

PRODUCT SPECIFICATION
LAYOUT
Metric Version

A3 Scale
1:15