

DECRA – available in retractable, fixed and flat-floor applications

Designed by Bluecube Ltd, Decra integrates perfectly with the Hussey Seatway TP theatre quality retractable platforms. Decra is a high specification, executive level chair that provides correct posture and excellent levels of comfort. The seat and back is manufactured from sturdy, high quality plywood. Decra can be specified in a range of real wood veneers or upholstered in a range of fabrics.

APPLICATIONS

A highly versatile and durable beam mounted chair, designed for use in theatres, conference centres, lecture halls and similar interior spaces.

FEATURES

- Available in 3 different models
- Multi seat centres from 460mm
- Rail mounting allows equal spacing of seat modules, justifications of rows and replacement of complete seat modules in seconds
- Slim profile for wide, safe row access
- Spring activated tipping with a 'soft action' fully enclosed mechanism
- Available with or without auto tip armrests
- Designed for use on telescopic platforms with at least 260mm row rise and 850mm row depth
- Fixed and flat floor versions are available

OPTIONS

- Seat numbers and row letters
- Cup holders
- Auto tip polymer or upholstered armrests
- Integral folding Scribe writing tablet
- Gas struts to dampen the folding action

FINISHES

- Fabric from the Laser N range by Fidivi
- Customers own choice of fabric can be specified
- Timber stained Mahogany, Walnut or White Oak for seat and back panels
- Metalwork either satin black or matt silver

TECHNICAL

For all technical details, please see the reverse side of this specification sheet.

CAD drawings are available on request.



husseyseatway
PUBLIC SEATING SYSTEMS

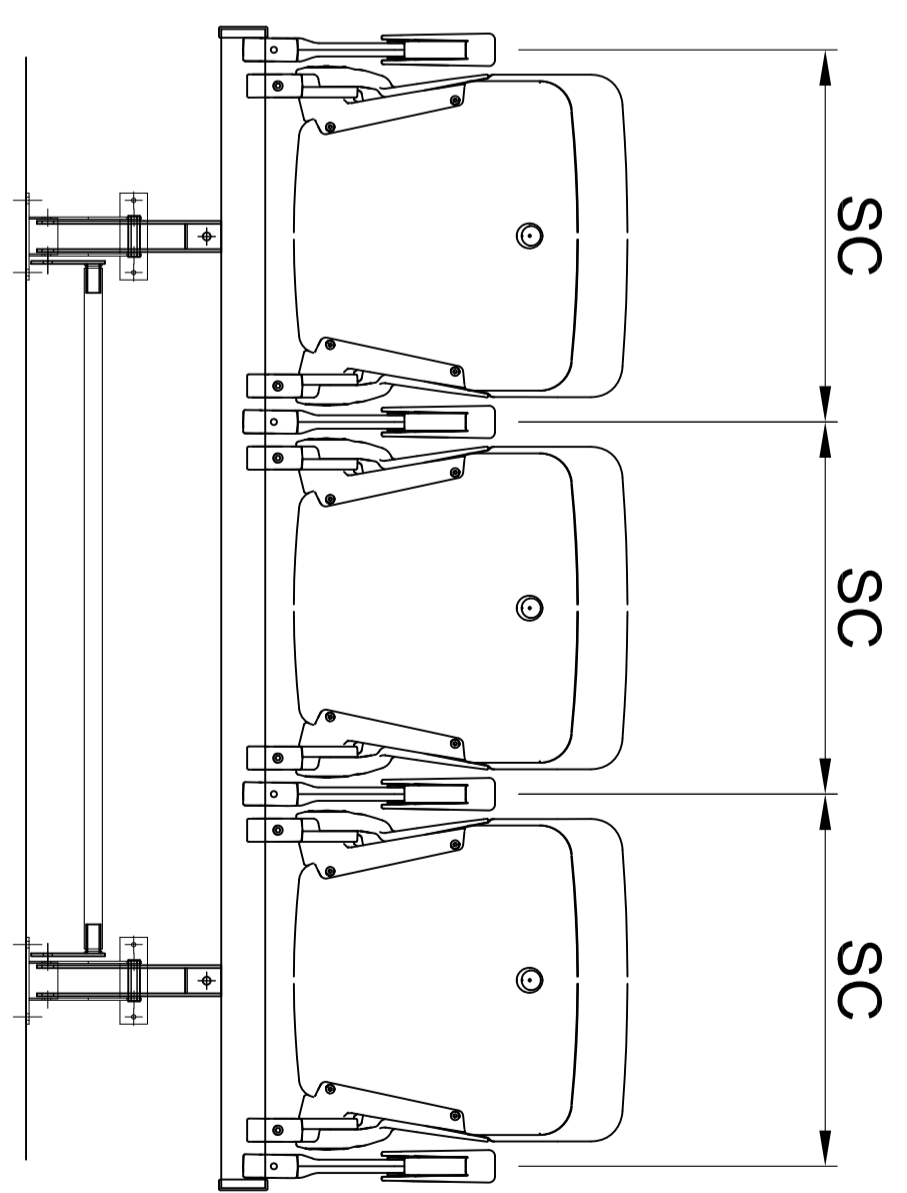
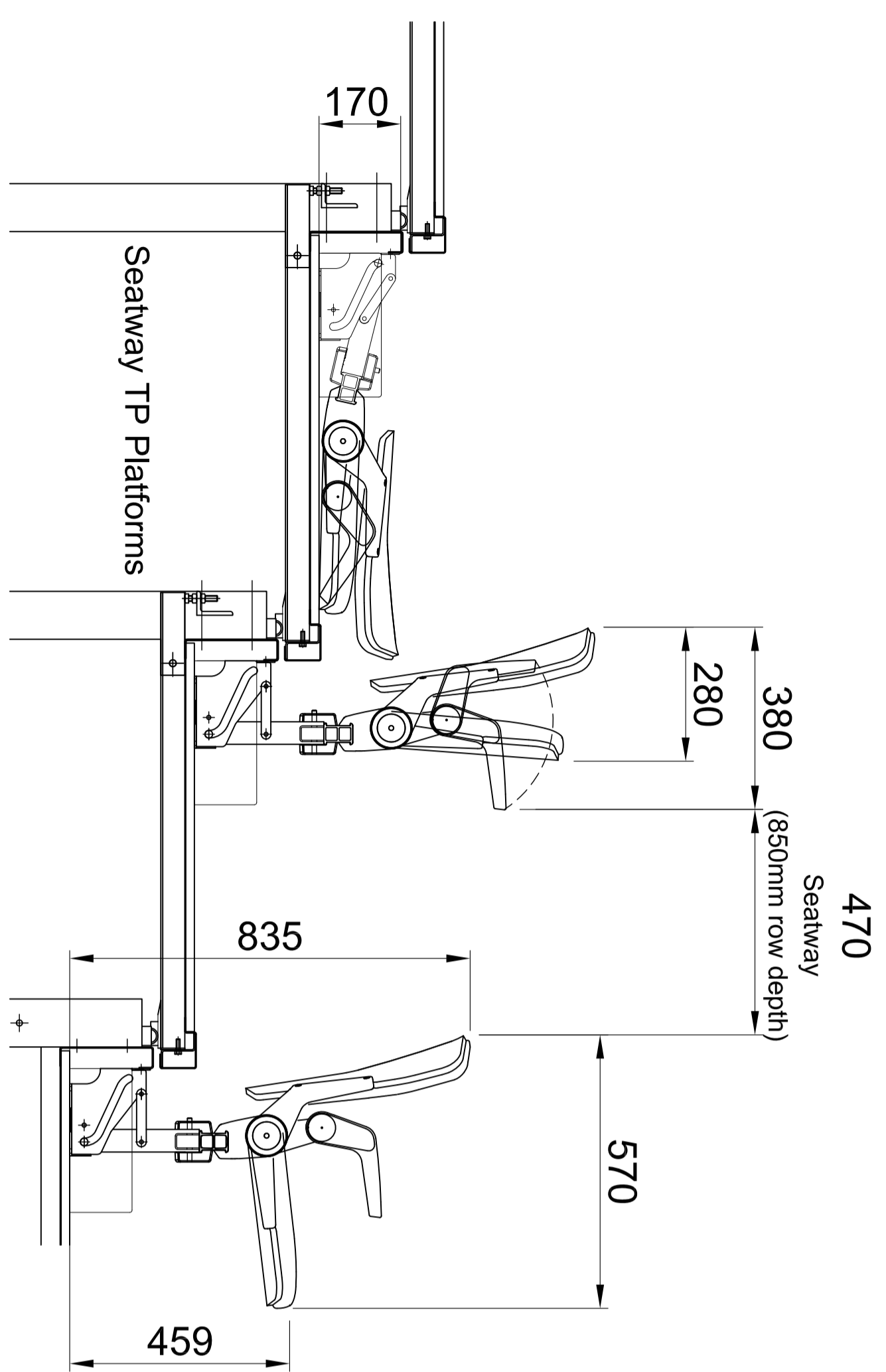
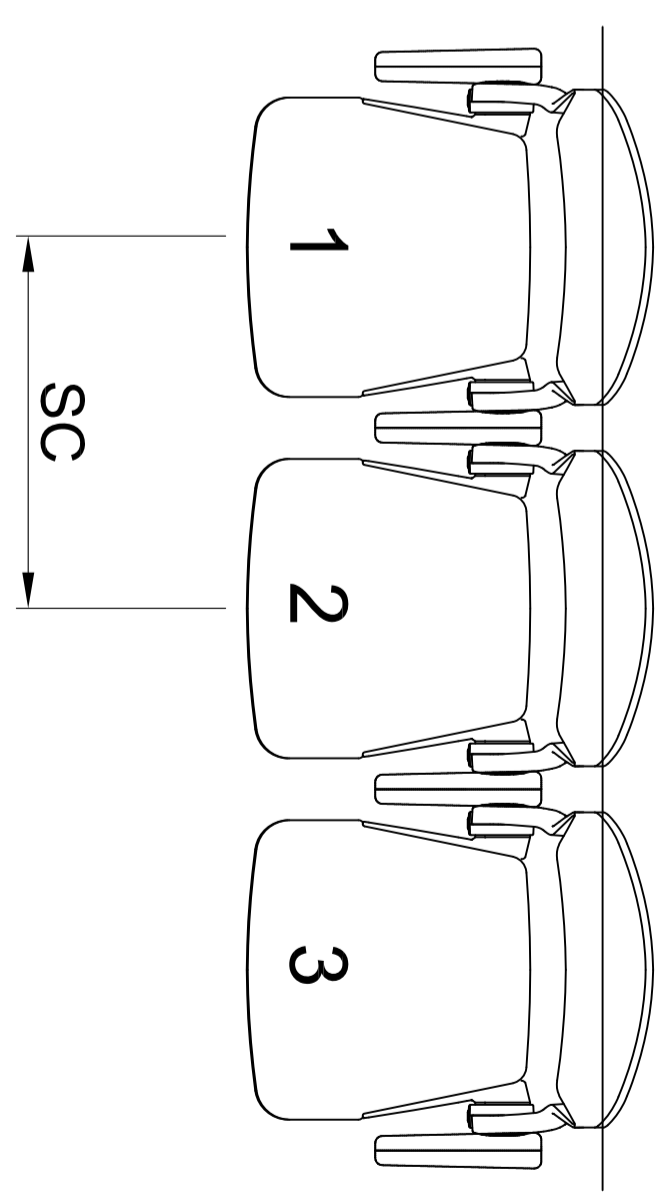


1 2 3 4 5 6 7 8

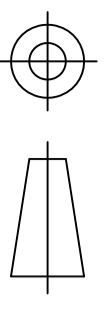
No Arms	Arms	Scribe
Min Seat Centre (SC)	460mm	490mm
Min Row Rise	280mm	280mm

Strength & Stability
 The chair satisfies the requirements of EN 12727:2000 & BSEN 12727 - Test Level 4.

Fire Retardency
 The fabric and foam comply with BS 5852:1990 (Source 0, 1, and 5). Other codes or European Standards can be satisfied as required.



GENERAL TOLERANCE
 + 1 mm



Husseyseatway
 PUBLIC SEATING SYSTEMS

THIS DRAWING IS THE PROPERTY AND COPYRIGHT OF HUSSEY SEATWAY LTD. COPYING OR REPRODUCTION WITHOUT WRITTEN PERMISSION IS PROHIBITED. © 2014

Tel: +44 (0)1985 847200
 Fax: +44 (0)1985 847300
 Email: info@husseyseatway.com

Itemref	Quantity	Title/Name, designation, material, dimension etc	Article No./Reference
---------	----------	--	-----------------------

Decra Chair

PRODUCT SPECIFICATION
 LAYOUT

Metric Version

A3 Scale
 1:15

F

E

D

C

B

A

F

E

D

C

B

A

1 2 3 4 5 6 7 8