

GALLERY 3 – available in telescopic, fixed and flat-floor applications

The Gallery 3 chair features a refined design with exceptional detailing. The chair has been developed specifically for use with the Hussey Seatway TP theatre quality, telescopic platform system. Available in varying widths, with or without armrests and a variety of upholstery finishes. Gallery 3 features a slim and elegant profile making it an optimum solution for a wide range of auditorium seating arrangements.

APPLICATIONS

An elegant and versatile, beam mounted chair, designed for use in theatres, multi-purpose halls, schools and colleges.

FEATURES

- 18", 19", 20", 20¹/₂", 21¹/₄" and 22¹/₂" seat centres
- Preformed plywood seat and back structure with fully contoured upholstery
- Cast aluminium seat posts
- Spring activated tipping with a fully enclosed stop mechanism
- Available with or without armrests
- Designed for use on Maxam+ platforms with 9⁵/₈" rise and Seatway TP Platforms with a 10¹/₄" rise

OPTIONS

- Seat numbers and row letters
- Custom seat centres up to 22¹/₂"
- Gas struts to dampen the folding action
- Cupholders
- Show wood seat and back panels
- Folding writing tablet available

FINISHES

- Fabric from the Laser N range by Fidivi
- Customers own choice of fabric can be specified
- Metalwork: Satin black powder coat
- Armrests: Polymer, wood or upholstered

TECHNICAL

For all technical details, please see the reverse side of this specification sheet.
CAD drawings are available on request.



Hussey Seatway Ltd, 3 Centurion Way, Crusader Park, Warminster, Wiltshire, BA12 8BT U.K.
Tel: +44 (0)1985 847200 Fax: +44 (0)1985 847300 www.husseyseatway.com sales@husseyseatway.com

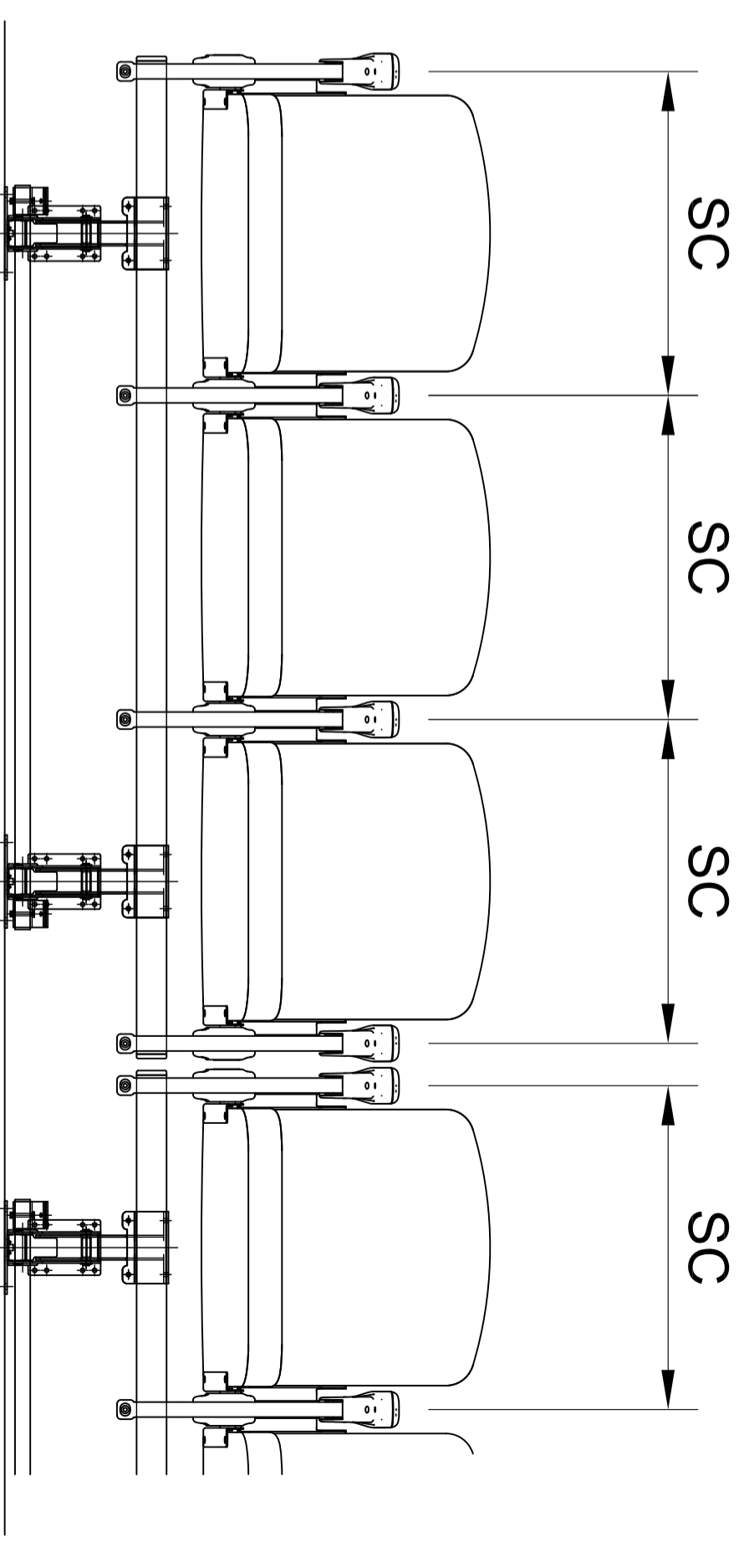
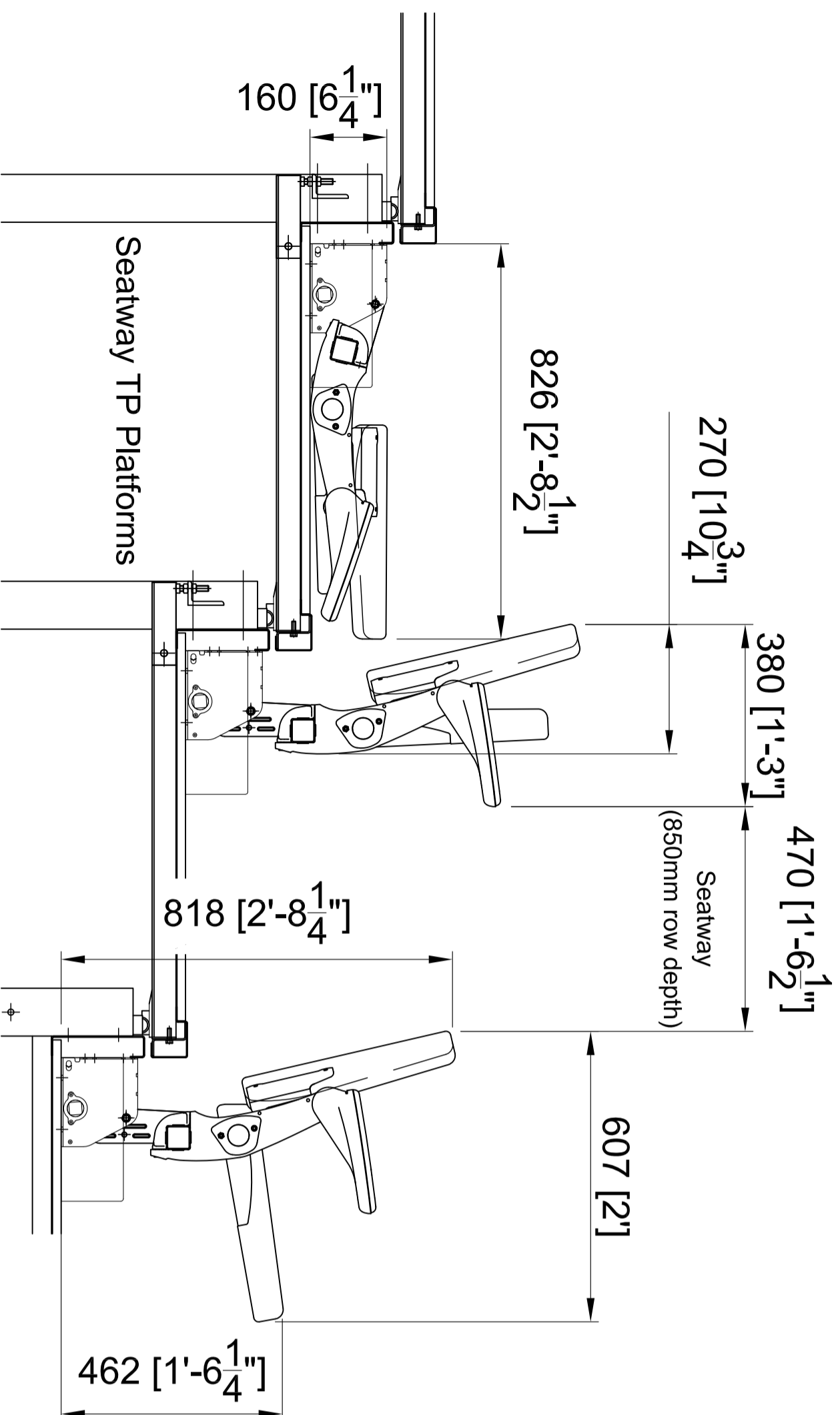
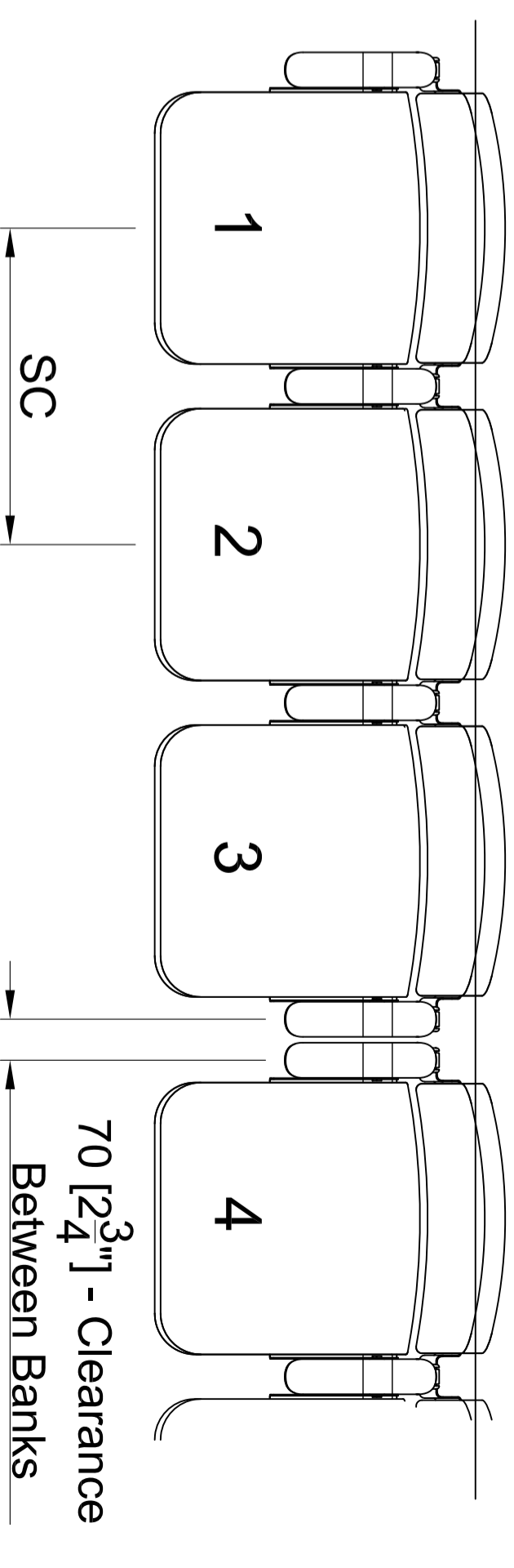
	No Arms		Arms		Writing Tablets	
	Seatway	Maxam	Seatway	Maxam	Seatway	Maxam
Min Seat Centre (SC)	460mm [1'-6"]	460mm [1'-6"]	490mm [1'-7 1/4"]	490mm [1'-7 1/4"]	520mm [1'-8 1/2"]	520mm [1'-8 1/2"]
Min Row Rise	260mm [10 1/4"]	244mm [9 1/2"]	260mm [10 1/4"]	244mm [9 1/2"]	320mm [1'-1 1/2"]	295mm [11 1/2"]

Strength & Stability

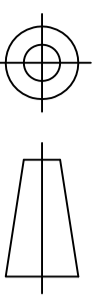
The chair satisfies the requirements of EN 12727:2000.

Fire Retardancy

The fabric and foam comply with BS 5852:1990 (Source 0, 1, and 5). Other codes or European Standards can be satisfied as required.



GENERAL TOLERANCE
+ 1 mm



THIS DRAWING IS THE PROPERTY AND COPYRIGHT OF HUSSEY SEATWAY LTD. COPYING OR REPRODUCTION WITHOUT WRITTEN PERMISSION IS PROHIBITED. ©2015

Tel: +44 (0)1985 847200
Fax: +44 (0)1985 847300
Email: info@husseyseatway.com

Itemref Quantity Title/Name, designation, material, dimension etc

Gallery 3 Chair

Article No./Reference

PRODUCT SPECIFICATION LAYOUT

Imperial Version

A3 Scale
1:15