

GALLERY EXTRA – available in telescopic, fixed and flat-floor applications

A high specification, luxurious version of our Gallery 3 chair. Ergonomically designed featuring a fully contoured backrest with thick foam for additional comfort during longer events. Gallery Extra is available in varying widths, with or without armrests and a variety of finishes. The seat brackets can be concealed on the side of the chair creating improving aesthetics. The tipping mechanism is enclosed for safety purposes, a standard feature on all Hussey Seatway chairs.

APPLICATIONS

A highly versatile and durable beam mounted chair, designed for use on Hussey Seatway TP telescopic systems in theatres, multi-purpose halls, conference centres and education.

FEATURES

- 18" – 22" seat centre with all chairs manufactured to order
- Preformed plywood seat and back structure with fully contoured upholstery
- Slim profile for wide safe row access
- Spring activated tipping with a fully enclosed stop mechanism
- Available with or without armrests
- Designed for use on TP telescopic platforms with at least 11⁵/₈" row rise and 33¹/₂" row depth
- Fixed and flat-floor versions are available

OPTIONS

- Seat numbers and row letters
- Gas struts to dampen the folding action
- Sponsor plaques
- Show wood seat and backrest panels

FINISHES

- Fabric from the Laser N range by Fidivi
- Customers own choice of fabric can be specified
- Metalwork: Satin black powder coat
- Armrests: Polymer, wood or upholstered

TECHNICAL

For all technical details, please see the reverse side of this specification sheet.
CAD drawings are available on request.



husseyseatway
PUBLIC SEATING SYSTEMS



Hussey Seatway Ltd, 3 Centurion Way, Crusader Park, Warminster, Wiltshire, BA12 8BT U.K.

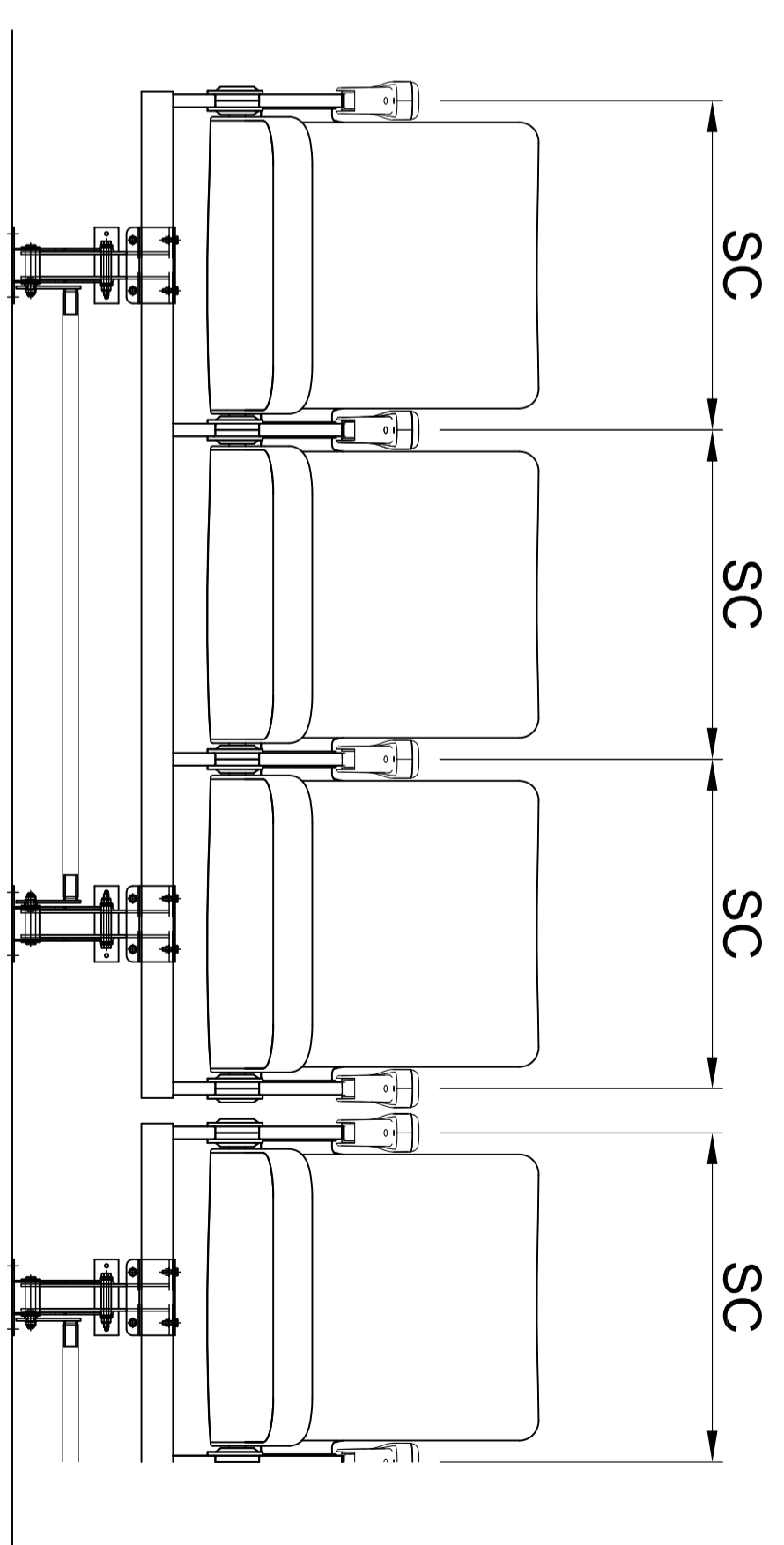
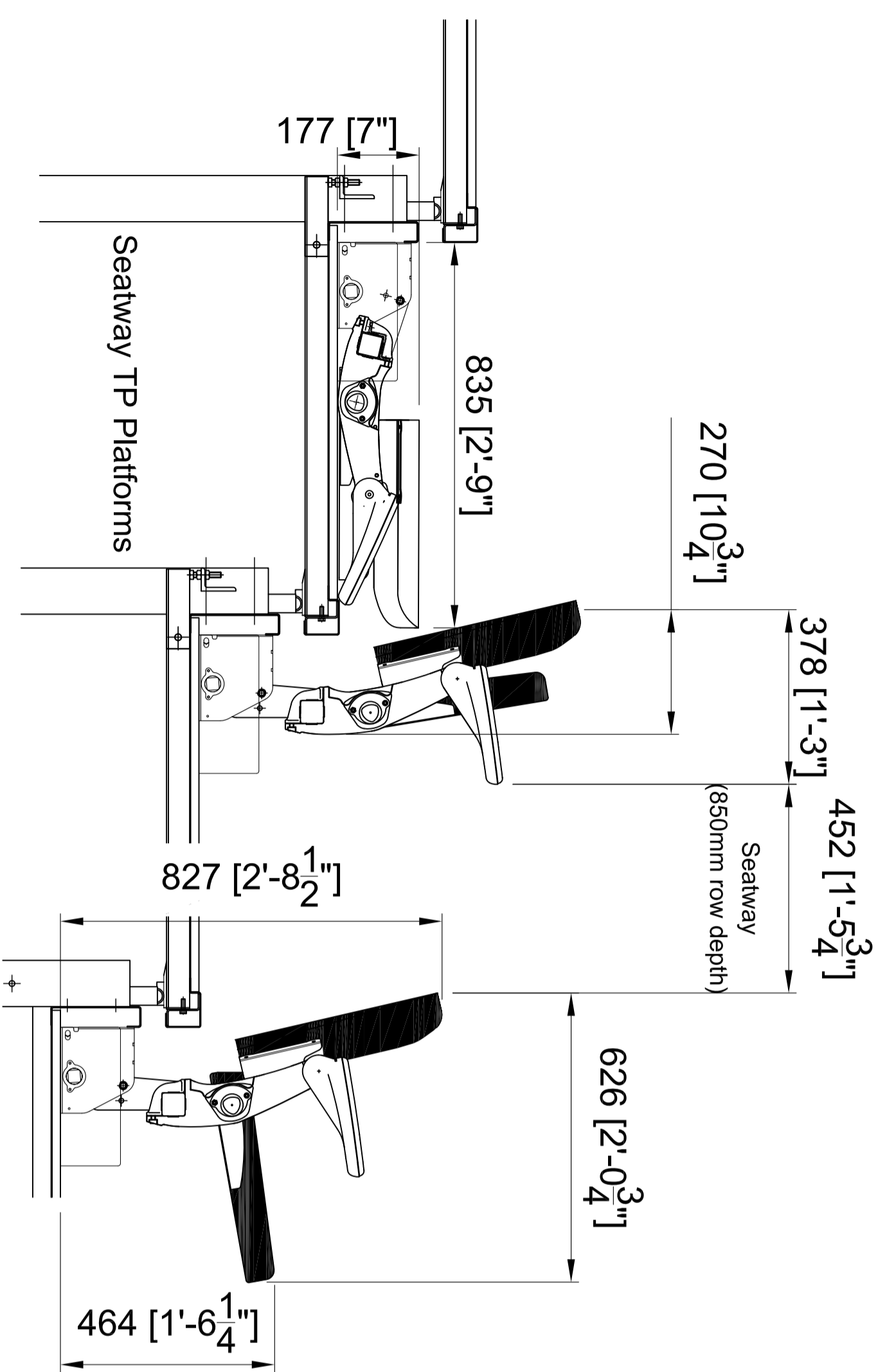
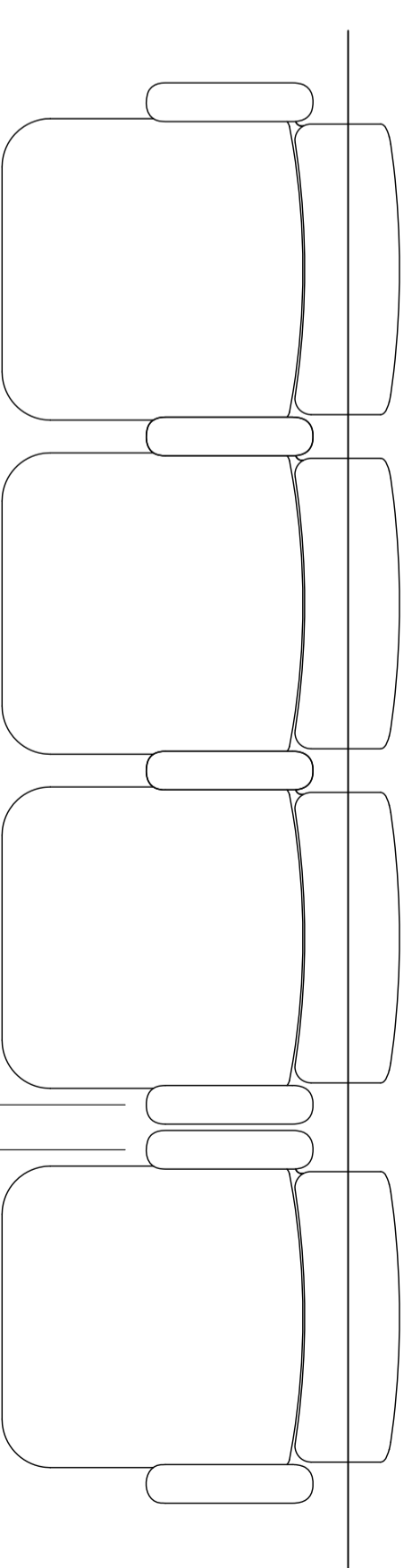
Tel: +44 (0)1985 847200 Fax: +44 (0)1985 847300 www.husseyseatway.com sales@husseyseatway.com

1 2 3 4 5 6 7 8

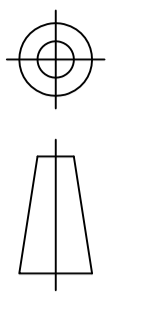
	No Arms	Arms
Min Seat Centre (SC)	460mm [1' - 6"]	490mm [1' - 7 1/4"]
Min Row Rise	300mm [1' 3/4"]	300mm [1' 3/4"]

Strength & Stability
The chair satisfies the requirements of EN 12727:2000.

Fire Retardency
The fabric and foam comply with BS 5852:1990 (Source 0, 1, and 5). Other codes or European Standards can be satisfied as required.



GENERAL TOLERANCE
+ 1 mm



THIS DRAWING IS THE PROPERTY AND COPYRIGHT OF HUSSEY SEATWAY LTD. COPYING OR REPRODUCTION WITHOUT WRITTEN PERMISSION IS PROHIBITED. © 2014

Tel: +44 (0)1985 847200
Fax: +44 (0)1985 847300
Email: info@husseyseatway.com

Itemref	Quantity	Title/Name, designation, material, dimension etc	Article No./Reference
		Gallery Extra Chair	

PRODUCT SPECIFICATION

LAYOUT

Imperial Version

A3 Scale
1:15

1 2 3 4 5 6 7 8