

# GALLERY EXTRA – available in retractable, fixed and flat-floor applications

A high specification, luxurious version of our Gallery 3 chair. Ergonomically designed featuring a fully contoured backrest with thick foam for additional comfort during longer events. Gallery Extra is available in varying widths, with or without armrests and a variety of finishes. The seat brackets can be concealed on the side of the chair creating improving aesthetics. The tipping mechanism is enclosed for safety purposes, a standard feature on all Hussey Seatway chairs.

## APPLICATIONS

A highly versatile and durable beam mounted chair, designed for use on Hussey Seatway TP retractable systems in theatres, multi-purpose halls, conference centres and education.

## FEATURES

- 460mm-550mm seat centre with all chairs manufactured to order
- Preformed plywood seat and back structure with fully contoured upholstery
- Slim profile for wide safe row access
- Spring activated tipping with a fully enclosed stop mechanism
- Available with or without armrests
- Designed for use on TP telescopic platforms with at least 300mm row rise and 850mm row depth
- Fixed and flat-floor versions are available

## OPTIONS

- Seat numbers and row letters
- Gas struts to dampen the folding action
- Sponsor plaques
- Show wood seat and backrest panels

## FINISHES

- Fabric from the Laser N range by Fidivi
- Customers own choice of fabric can be specified
- Metalwork: Satin black powder coat
- Armrests: Polymer, wood or upholstered

## TECHNICAL

For all technical details, please see the reverse side of this specification sheet.  
CAD drawings are available on request.



**husseyseatway**  
PUBLIC SEATING SYSTEMS



Hussey Seatway Ltd, 3 Centurion Way, Crusader Park, Warminster, Wiltshire, BA12 8BT U.K.

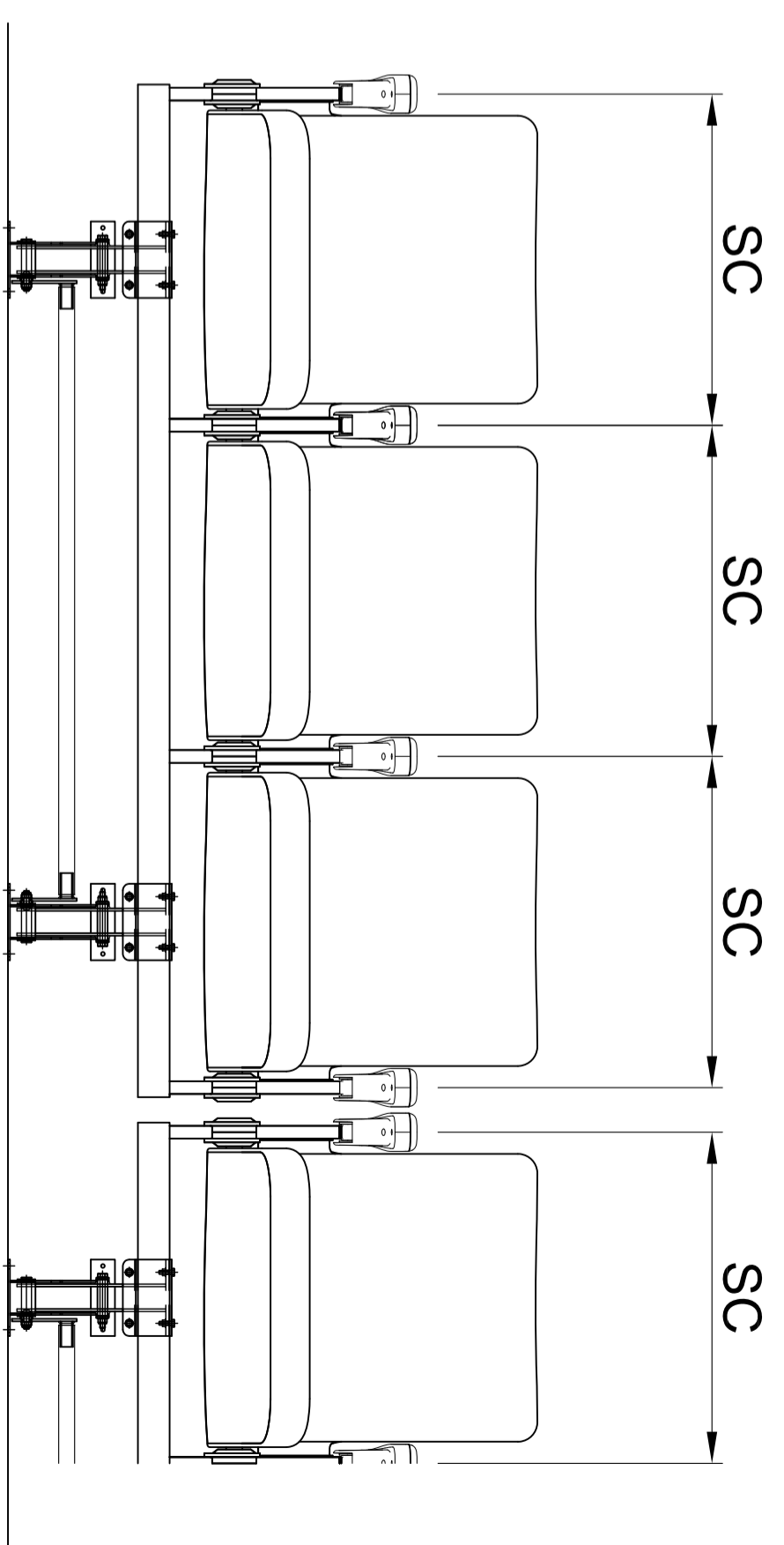
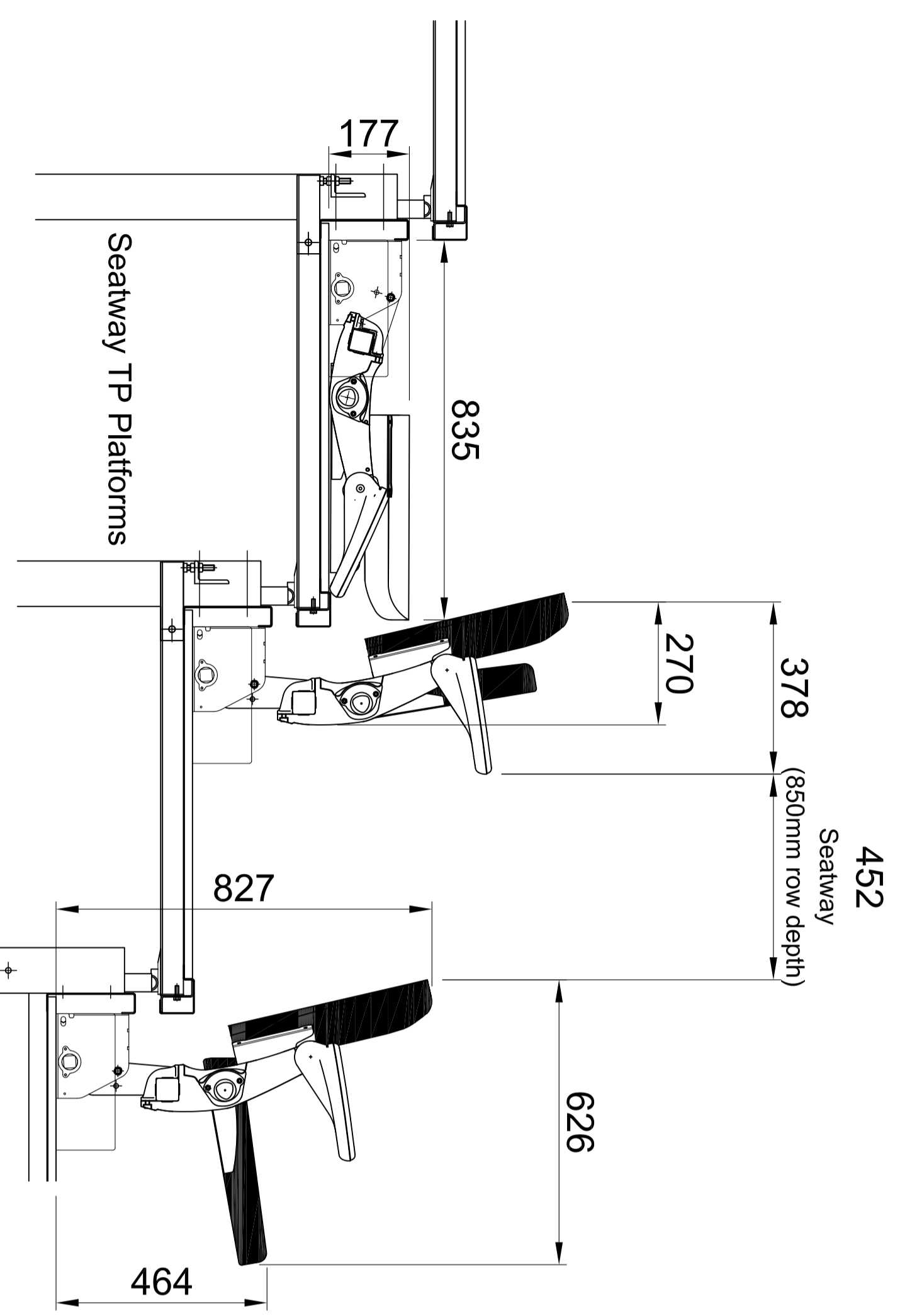
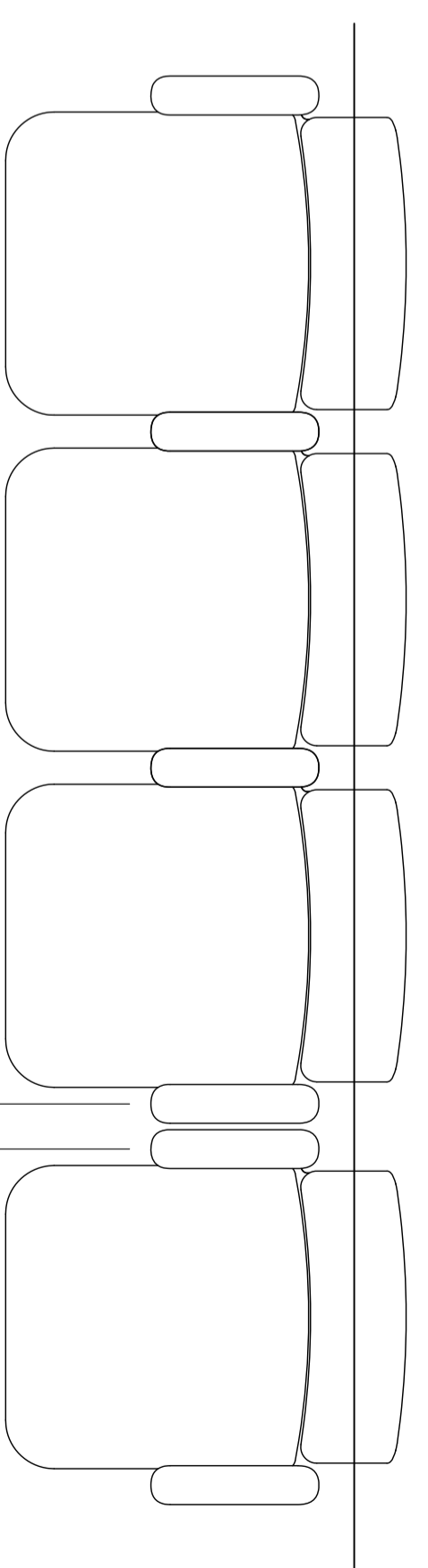
Tel: +44 (0)1985 847200 Fax: +44 (0)1985 847300 [www.husseyseatway.com](http://www.husseyseatway.com) sales@husseyseatway.com

1 2 3 4 5 6 7 8

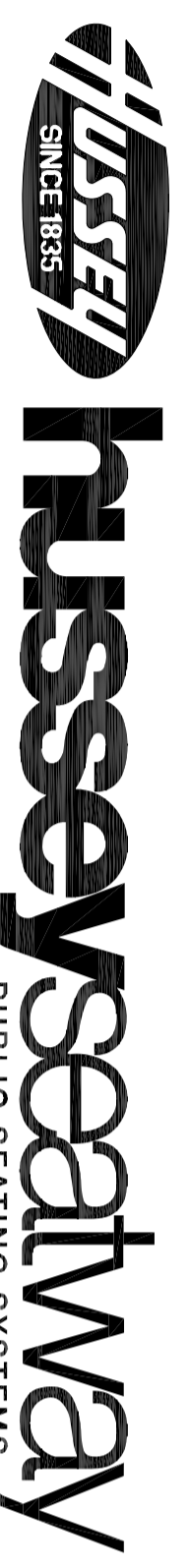
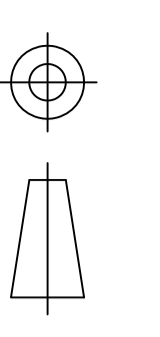
No Arms	Arms
Min Seat Centre (SC)	460mm
Min Row Rise	300mm
	300mm

**Strength & Stability**  
 The chair satisfies the requirements of EN 12727:2000.

**Fire Retardency**  
 The fabric and foam comply with BS 5852:1990 (Source 0, 1, and 5). Other codes or European Standards can be satisfied as required.



**GENERAL TOLERANCE**  
 + 1 mm



THIS DRAWING IS THE PROPERTY AND COPYRIGHT OF HUSSEY SEATWAY LTD. COPYING OR REPRODUCTION WITHOUT WRITTEN PERMISSION IS PROHIBITED. © 2014

Tel: +44 (0)1985 847200  
 Fax: +44 (0)1985 847300  
 Email: info@husseyseatway.com

Itemref	Quantity	Title/Name, designation, material, dimension etc	Article No./Reference
---------	----------	--	-----------------------

**Gallery Extra Chair**

**PRODUCT SPECIFICATION LAYOUT**

**Metric Version**

A3 Scale  
 1:15

F

E

D

C

B

A

F

E

D

C

B

A

1 2 3 4 5 6 7 8