

HDS CHAIR – portable chair

The HDS is a comfortable and versatile portable chair that link and stack easily onto storage trolleys. With a robust steel frame, fabricated from oval tubing and rod perfectly creates an elegant, timeless design. The compact stacking on purpose designed trolleys makes this an ideal choice for venues where flexibility is required and where minimum storage space is available.

APPLICATIONS

Designed for use on flat floor, the HDS Chair provides an effective way of adding seating rows in front of a retractable system or as a stand alone item.

FEATURES

- Seat centres at 20" or 21¹/₄"
- Available with or without armrests
- Chairs fitted with linking device as standard
- To further enhance stability and to maintain constant spacing, row spacer bars are available
- The linking mechanism and design of the floor bar prevents row from distorting
- The design allows compact stacking on mobile storage trolleys that can accommodate up to 25 chairs
- An option for removable writing tablets which attach easily to the chair is available

FINISHES

- Metalwork: Nylon powder coat or chrome
- Fabric from the Laser N range by Fidivi
- Arms: Black polyurethane or solid wood
- Writing tablets: Black plastic laminate

TECHNICAL

All chairs manufactured to:

- BS5852: Ignition source 0.1 and 5 flammability
- BS7176: Resistance to ignition of upholstered furniture for non-domestic seating by testing composites
- BS4875: Strength and stability of furniture



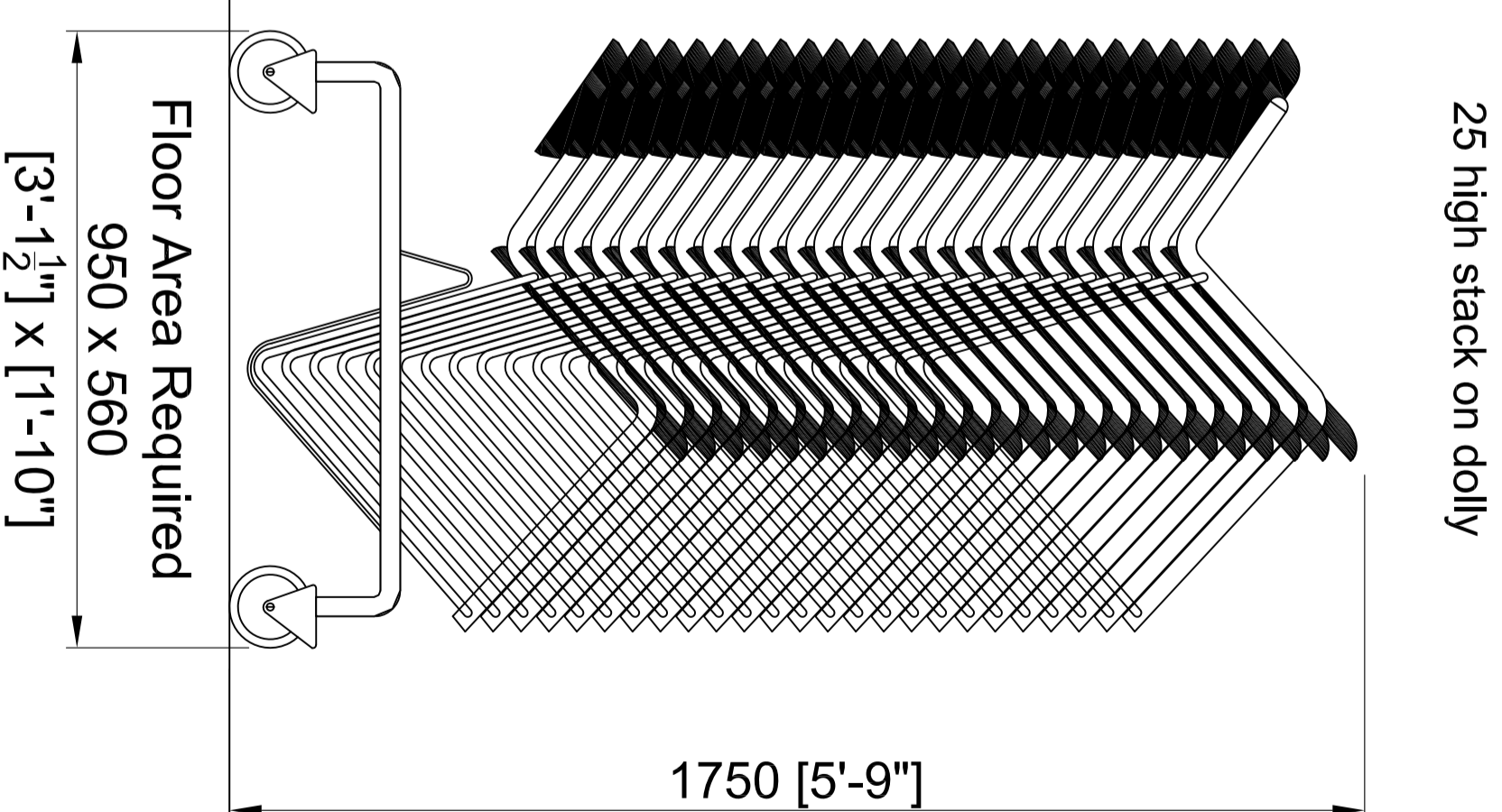
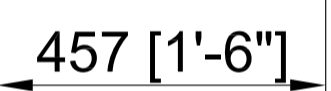
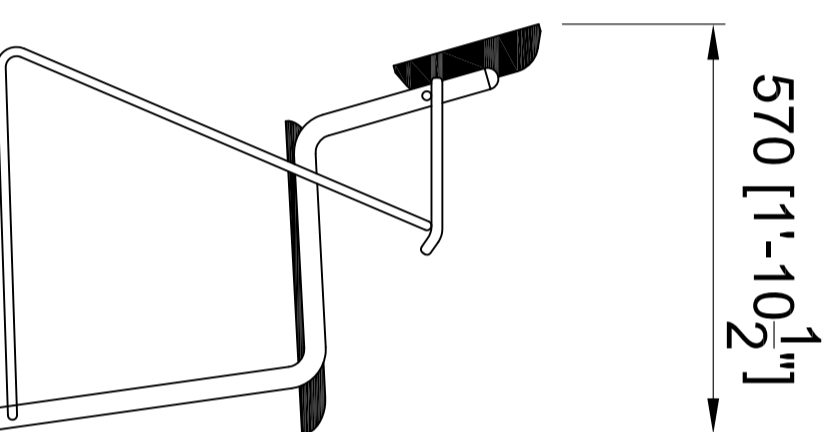
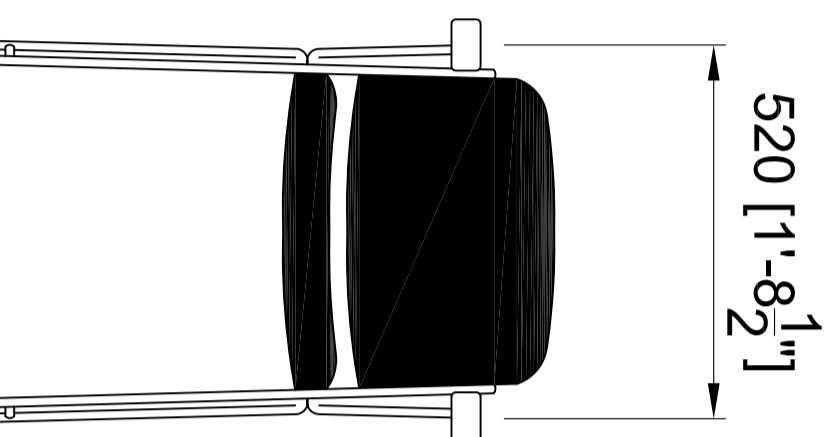
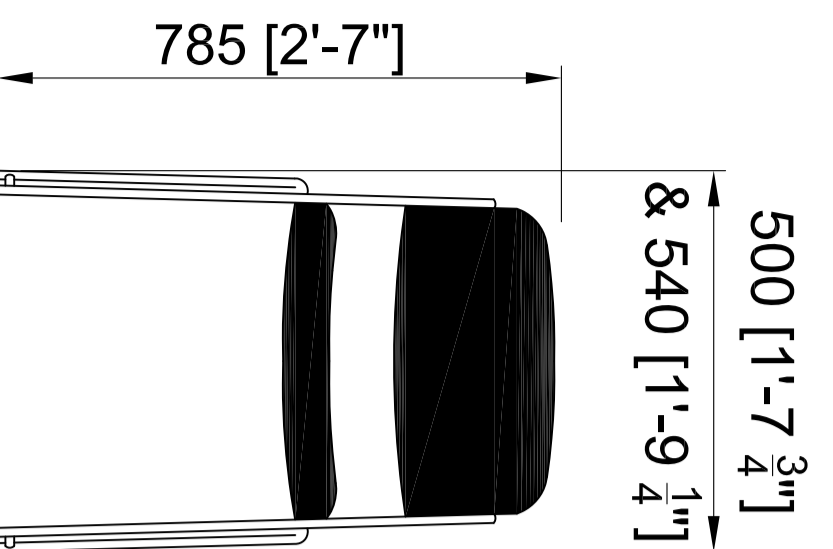
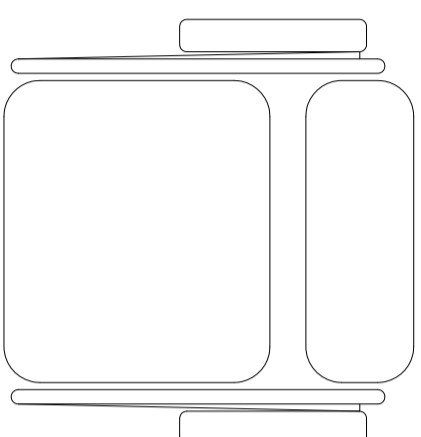
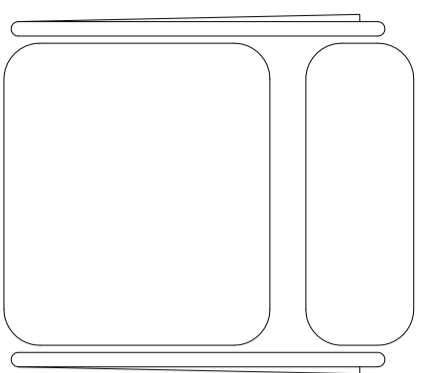
husseyseatway
PUBLIC SEATING SYSTEMS



Hussey Seatway Ltd, 3 Centurion Way, Crusader Park, Warminster, Wiltshire, BA12 8BT U.K.

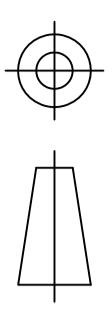
Tel: +44 (0)1985 847200 Fax: +44 (0)1985 847300 www.husseyseatway.com sales@husseyseatway.com

	No Arms		Arms
Seat Centre (SC)	500mm [1'-7 3/4"]	540mm [1'-9 1/4"]	520mm [1'-8 1/2"]



1 2 3 4 5 6 7 8

GENERAL TOLERANCE
+ 1 mm



Husseyseatway
PUBLIC SEATING SYSTEMS

THIS DRAWING IS THE PROPERTY AND
COPYRIGHT OF HUSSEY SEATWAY LTD.
COPYING OR REPRODUCTION WITHOUT
WRITTEN PERMISSION IS PROHIBITED. © 2014

Tel: +44 (0)1985 847200
Fax: +44 (0)1985 847300
Email: info@husseyseatway.com

Itemref	Quantity	Title/Name, designation, material, dimension etc	Article No./Reference
		HDS Stacking Chair	

PRODUCT SPECIFICATION
LAYOUT

Imperial Version

A3 Scale
Sheet

F E D C B A