

LOGIX – available in flat floor applications

Logix flat floor seating allows any choice of Hussey Seatway chair to be arranged in formatted rows on the floor. The Logix system is lightweight, robust and easy to layout. Ideal for arenas and multipurpose auditoriums that require flexible seating arrangements; the automatic tipping mechanism of the seat leads to a narrower folded envelope than a conventional stacking chair therefore enabling capacity to be maximised. After use the system can be quickly demounted and stored onto lightweight transportation trolleys or storage.

APPLICATIONS

A quick and easy to use system with floor bars laid directly on the floor surface and no need for fixings.

FEATURES

- A perfect flexible solution to multi-purpose spaces
- Floor bars laid on floor with no need for fixings
- Gangs of up to 4 chairs are then inserted into the floor bars
- Rigid row system eliminates row snaking
- Easily demountable
- Stored on lightweight trolleys
- Flexible layout option
- Safe passage exit

OPTIONS

- Stand alone system
- Can be used in combination with fixed and retractable systems providing consistent aesthetics

FINISHES

- Seat/back: Black (RAL 9004) polymer mouldings as standard
- Fabric from the Laser N range by Fidivi
- Customers own choice of fabric can also be specified
- Armrests available if required

TECHNICAL

For all technical details, please see the reverse side of this specification sheet.
CAD drawings are available on request.



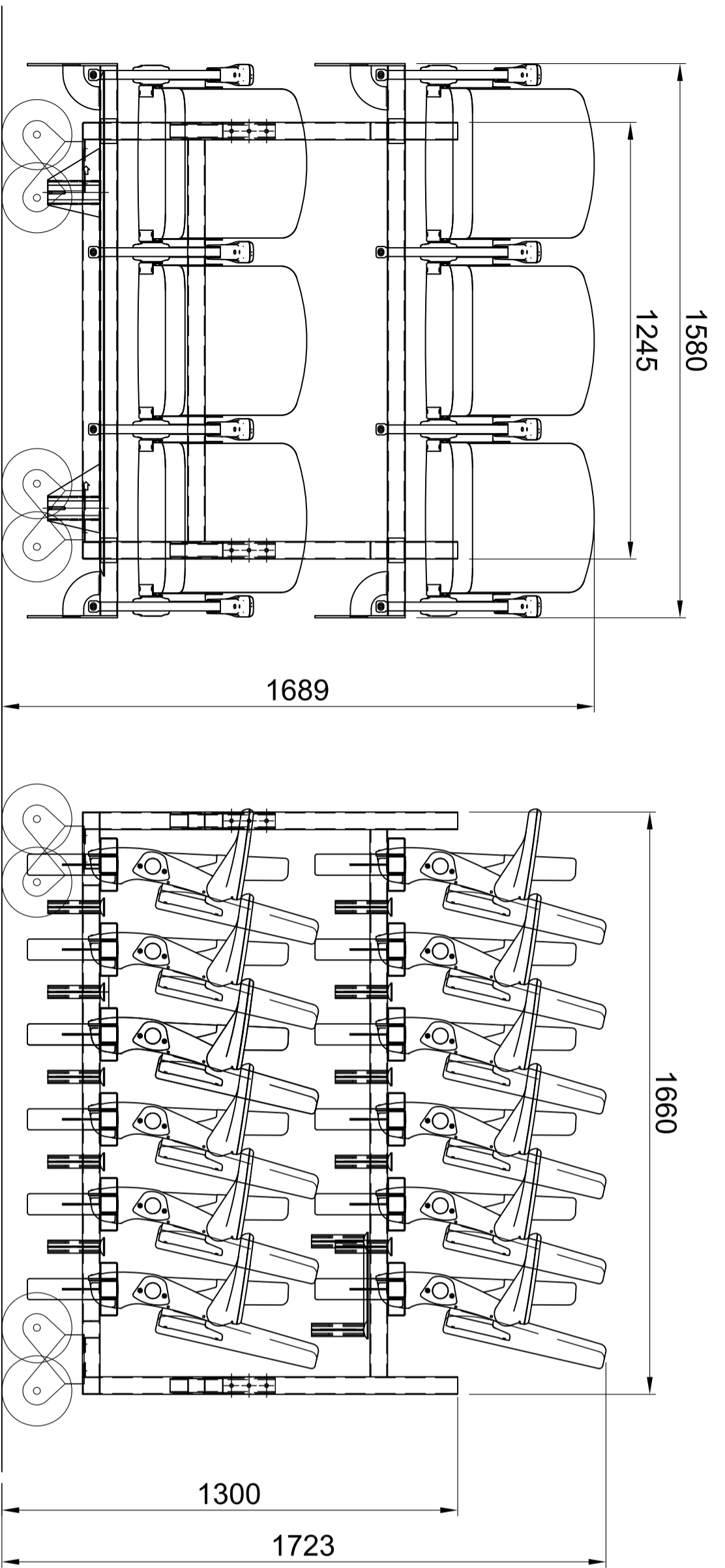
 **husseyseatway**
PUBLIC SEATING SYSTEMS

Hussey Seatway Ltd, 3 Centurion Way, Crusader Park, Warminster, Wiltshire, BA12 8BT U.K.

Tel: +44 (0)1985 847200 Fax: +44 (0)1985 847300 www.husseyseatway.com sales@husseyseatway.com



1 2 3 4 5 6 7 8



FRONT VIEW ON SEATING STORAGE

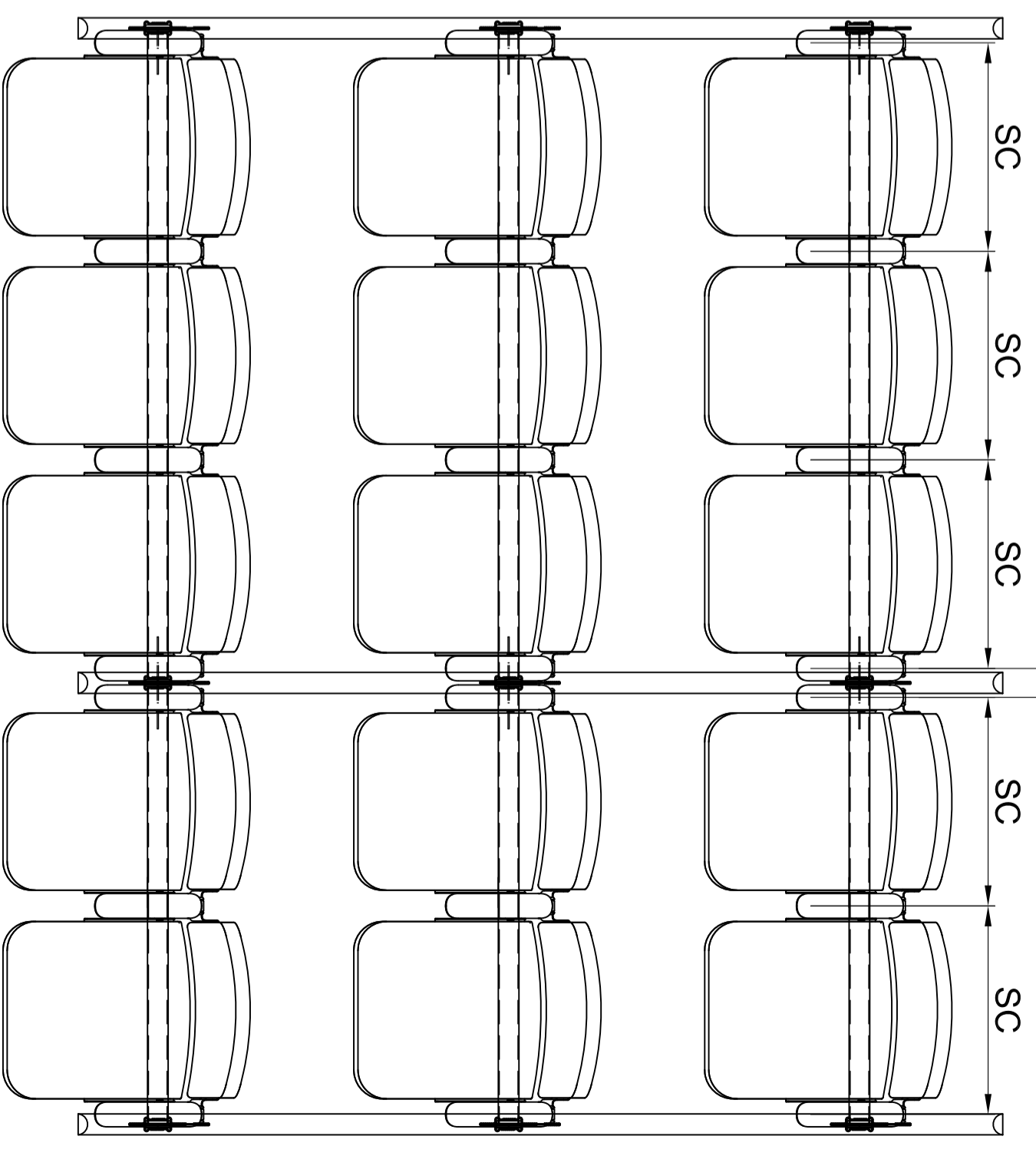
SIDE VIEW ON SEATING STORAGE

Strength & Stability
The chair satisfies the requirements of EN 12727:2000.

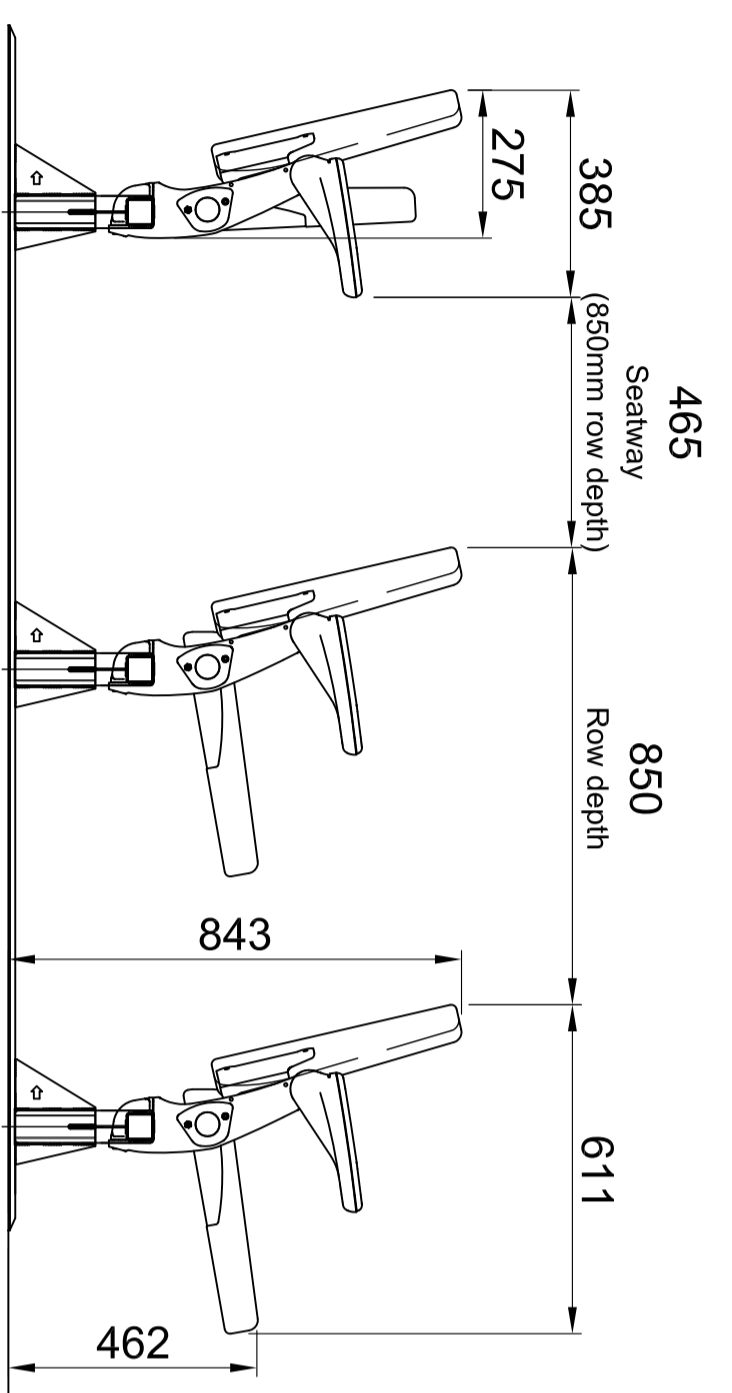
Fire Retardency
The fabric and foam comply with BS 5852:1990 (Source 0, 1, and 5). Other codes or European Standards can be satisfied as required.

| | No Arms | | Arms | |
|----------------------|---------|-------|---------|-------|
| | Seatway | Maxam | Seatway | Maxam |
| Min Seat Centre (SC) | 460mm | 460mm | 490mm | 490mm |
| Min Row Rise | 260mm | 244mm | 260mm | 244mm |

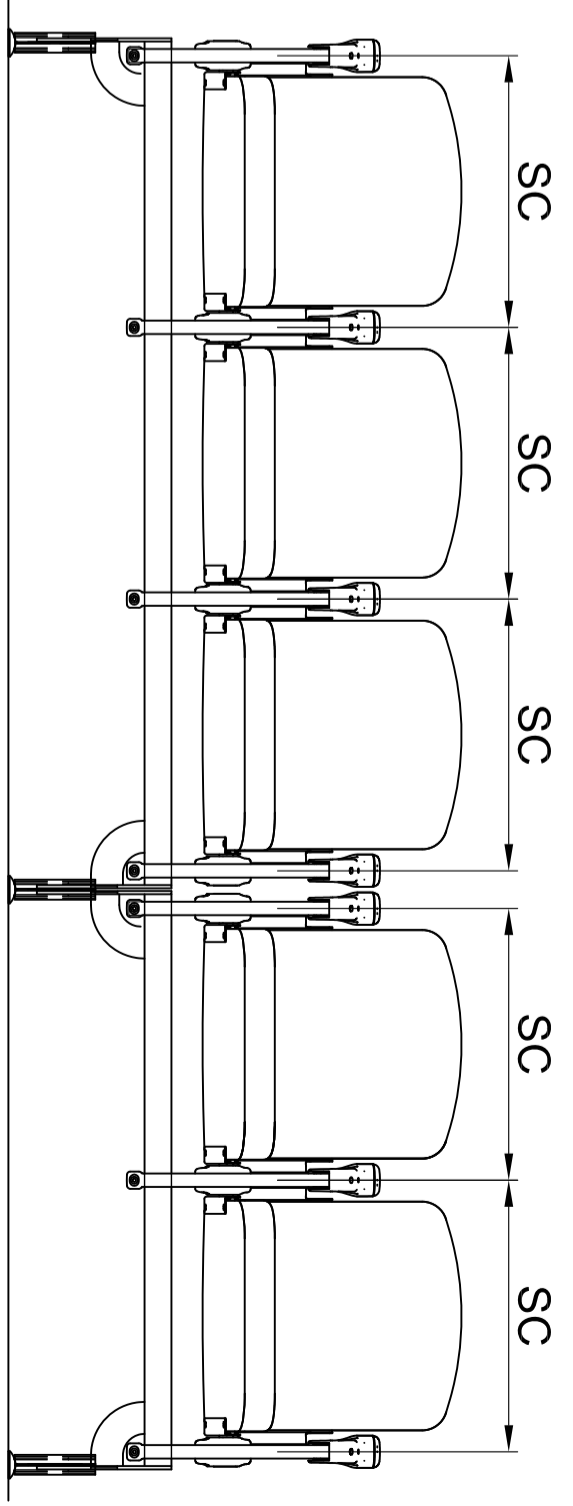
70 - Min Clearance
between banks



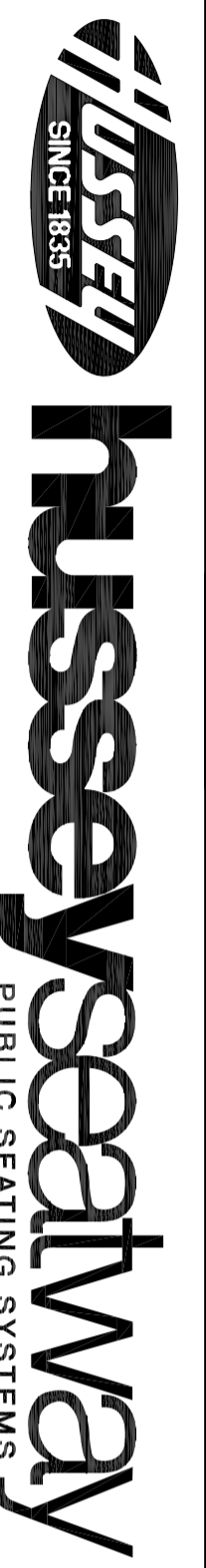
PLAN VIEW ON SEATING



SIDE VIEW ON SEATING



FRONT VIEW ON SEATING



GENERAL TOLERANCE
+ 1 mm

THIS DRAWING IS THE PROPERTY AND COPYRIGHT OF HUSSEY SEATWAY LTD. COPYING OR REPRODUCTION WITHOUT WRITTEN PERMISSION IS PROHIBITED. © 2015

Tel: +44 (0)1985 847200
Fax: +44 (0)1985 847300
Email: info@husseyseatway.com

| Itemref | Quantity | Title/Name, designation, material, dimension etc | Article No./Reference |
|-------------------------------------|----------|--|-----------------------|
| Gallery 3 Chair - Logix Type | | | |

PRODUCT SPECIFICATION LAYOUT

Metric Version

A3 Scale
1:20

1 2 3 4 5 6 7 8