

# STAX CHAIR – portable chair

Stax is a portable, stacking chair comprising of a one piece moulded polypropylene gas injected shell and a durable steel rod frame. Stax is designed to be aesthetically compatible with our Integra chair range and can be upgraded with onset upholstery pads. Storage trolleys area available to compliment the chair.

## APPLICATIONS

Designed for use on flat floor, the chair provides an effective way of adding seating rows in front of a retractable system, or, as a stand alone item.

## FEATURES

- 500mm seat centres
- Frame manufactured from 10mm diameter mild steel rod
- Upholstery onset pads available in a range of fabrics and vinyl
- The linking mechanism and design of the floor bar prevents rows snaking
- The design allows tight stacking onto mobile storage trolleys that can accommodate up to 20 plastic chairs (15 if upholstered)

## OPTIONS

- Linking device to join chairs in a row
- Available with storage & transportation trolley

## FINISHES

- Metal work: Chrome
- Seat/back: Black (RAL 9004) polymer mouldings
- Fabrics from the Laser N range by Fidivi

## TECHNICAL

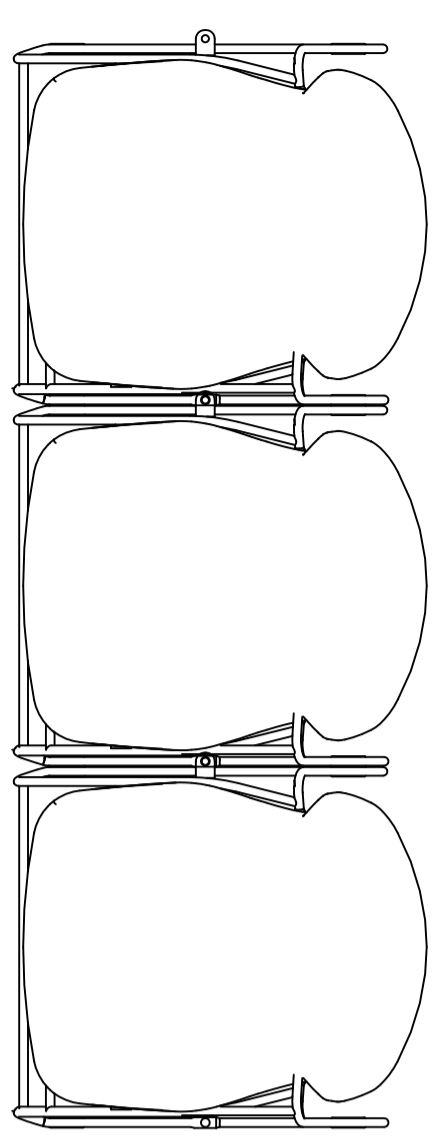
Manufactured to:  
BS5852: Ignition source 0.1 and 5 flammability  
BS7176: Resistance to ignition of upholstered furniture for non domestic seating by testing composites  
BS4875: Strength and stability of furniture



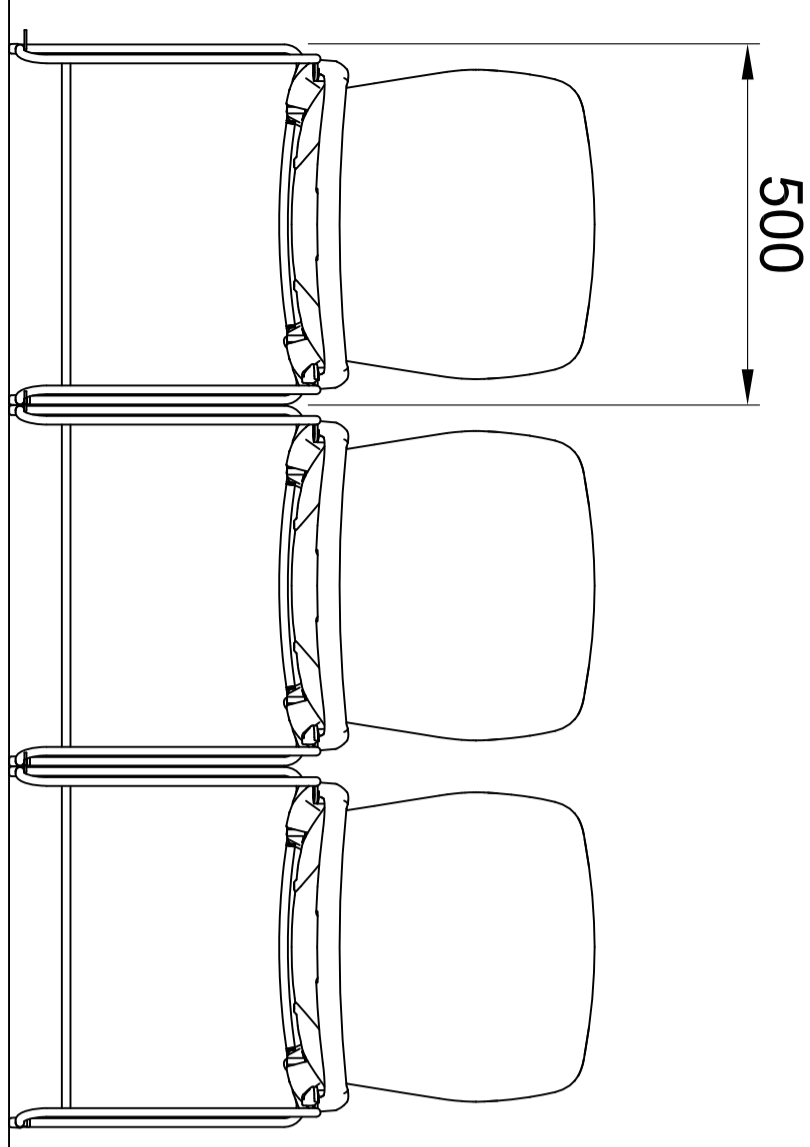
**husseyseatway**  
PUBLIC SEATING SYSTEMS



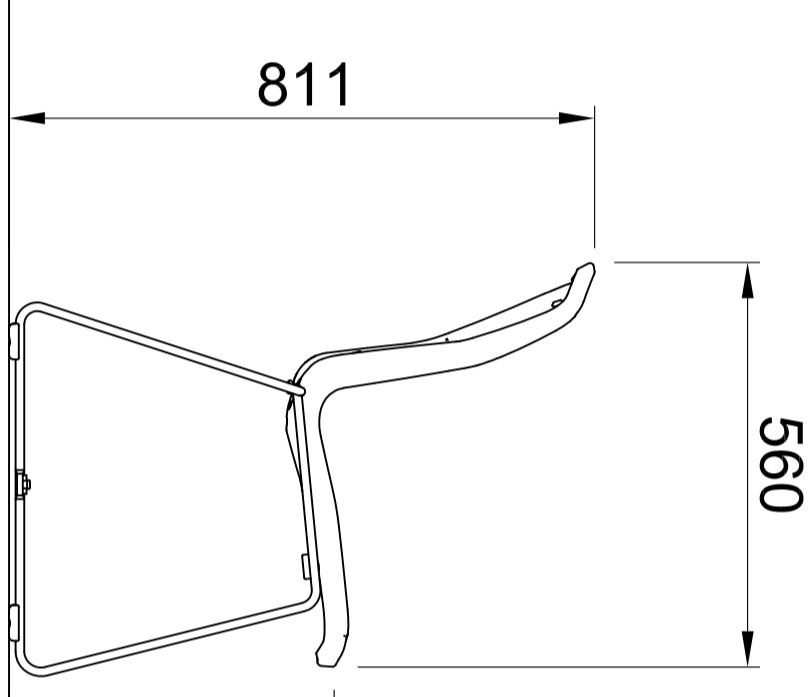
	No Arms	Arms
Seat Centre (SC)	500mm	N/A



500



500

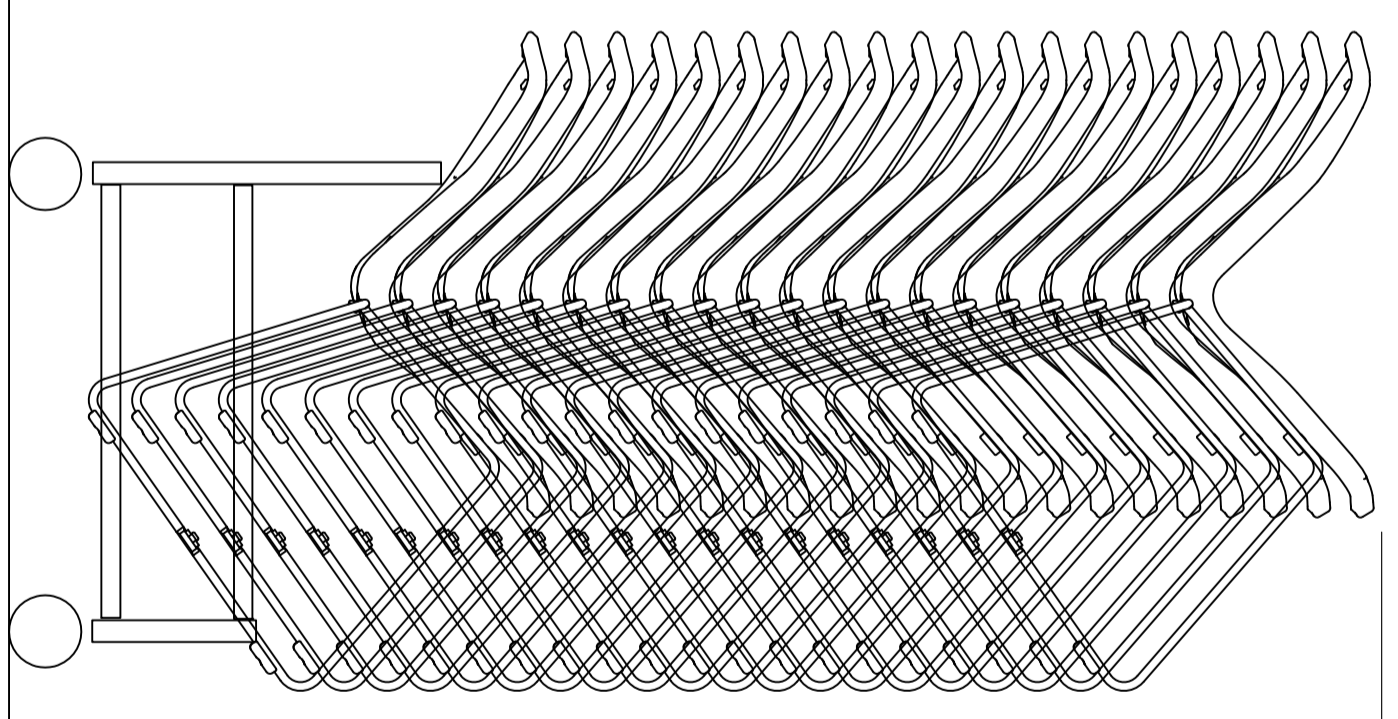


811

560

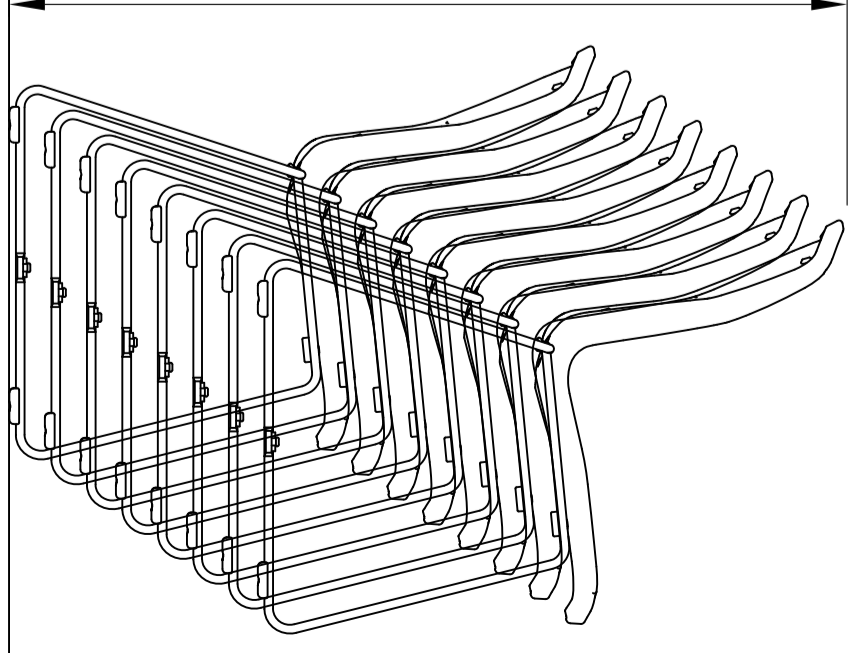
450

20 high stack on dolly



1900

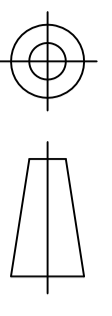
8 high free standing stack



1160

Floor Area Required  
920 x 550

GENERAL TOLERANCE  
+ 1 mm



**Husseyseatway**  
PUBLIC SEATING SYSTEMS

THIS DRAWING IS THE PROPERTY AND COPYRIGHT OF HUSSEY SEATWAY LTD. COPYING OR REPRODUCTION WITHOUT WRITTEN PERMISSION IS PROHIBITED. © 2014

Tel: +44 (0)1985 847200  
Fax: +44 (0)1985 847300  
Email: [info@husseyseatway.com](mailto:info@husseyseatway.com)

Itemref	Quantity	Title/Name, designation, material, dimension etc	Article No./Reference
---------	----------	--	-----------------------

Stax Chair

PRODUCT SPECIFICATION LAYOUT

Metric Version

A3 Scale  
1:15