

INTEGRA – available in retractable, fixed and flat-floor applications

Integra is a modern, stylish chair that offers excellent levels of comfort. Available in 2 module widths, that in conjunction with the rail based design allows variable seat spacing to be achieved, with or without armrests. The ergonomically designed polymer mouldings can be upgraded with the addition of upholstered pads, these can easily and economically be replaced ensuring Integra is a truly low maintenance and long lasting product.

APPLICATIONS

A highly versatile and durable beam mounted chair, designed for use in schools, colleges, sports and multi-purpose halls.

FEATURES

- Multi seat centres from 460mm
- Rail mounting allows equal spacing of seat modules, justification of rows and replacement of complete seat modules in seconds
- Available with or without auto tip armrests
- Upholstered pads can be replaced quickly and economically
- Spring activated tipping with a 'soft action' fully enclosed stop mechanism (safety for fingers and clothing)
- Designed for use on retractable platforms with at least 244mm row rise and 838MM row depth

OPTIONS

- Seat numbers and row letters
- Auto-tip polymer or upholstered armrests
- Cup holders
- Integral folding Scribe writing tablet
- Gas struts to dampen the folding action
- Coloured polymer mouldings

FINISHES

- Fabric from the Laser N range by Fidivi
- Seat/Back: Black (RAL 9004) Polymer mouldings
- Customers own choice of fabric can also be specified
- Armrests: polymer or upholstered

TECHNICAL

For all technical details, please see the reverse side of this specification sheet.
CAD drawings are available on request.

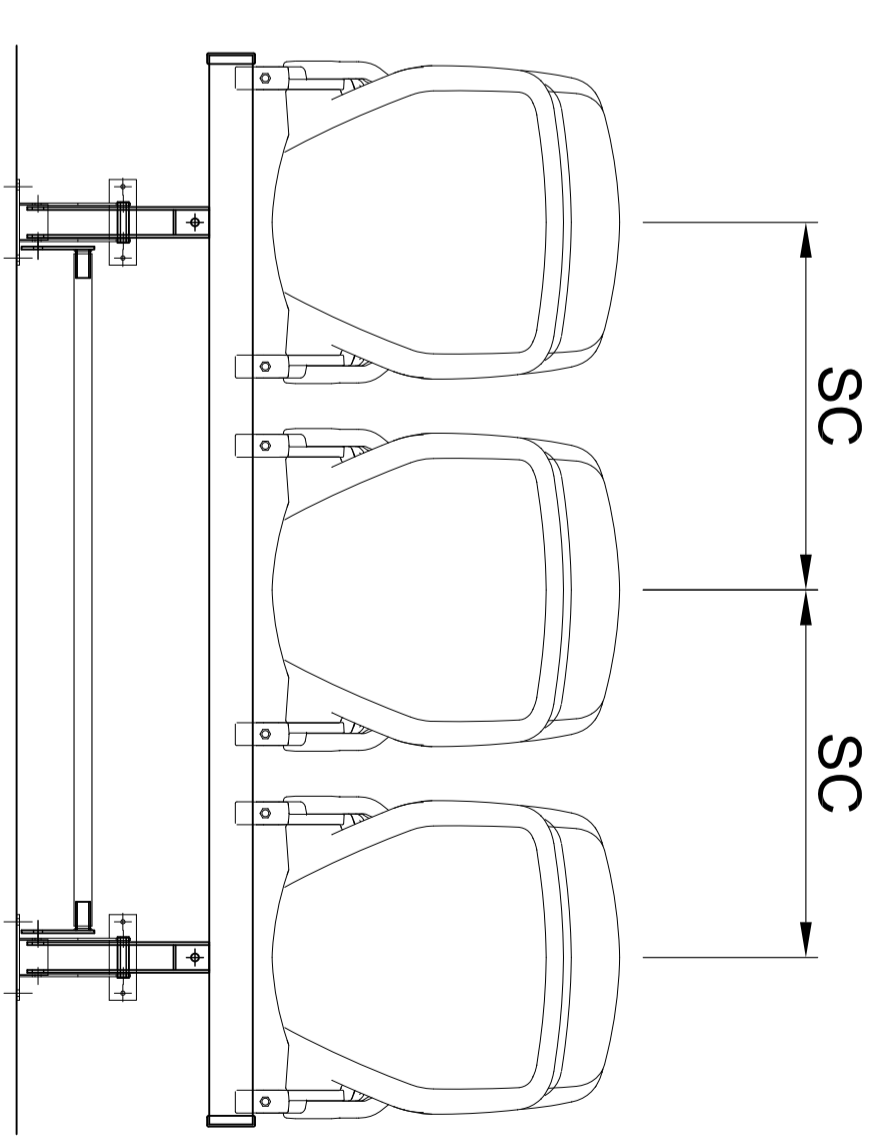
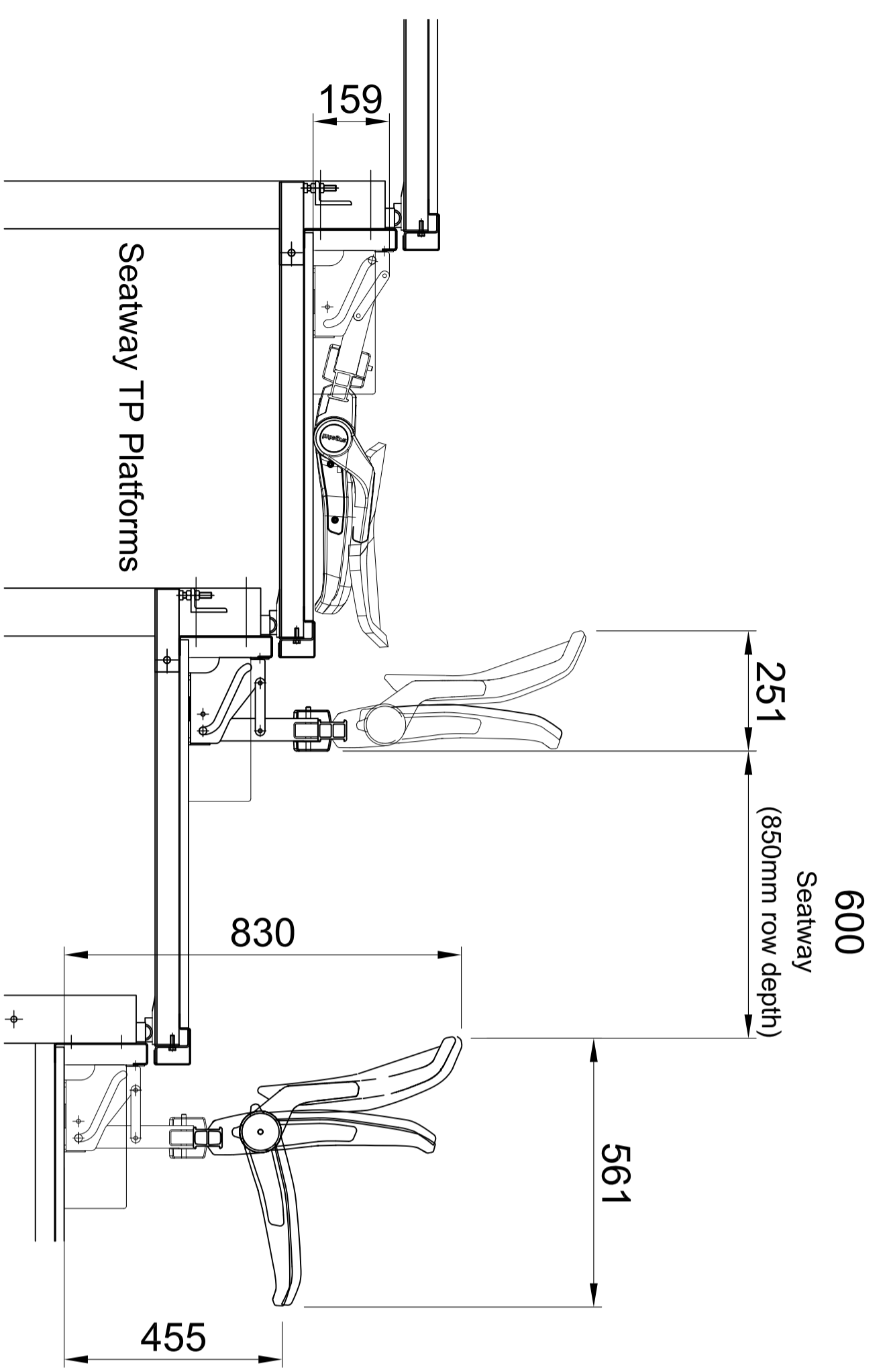
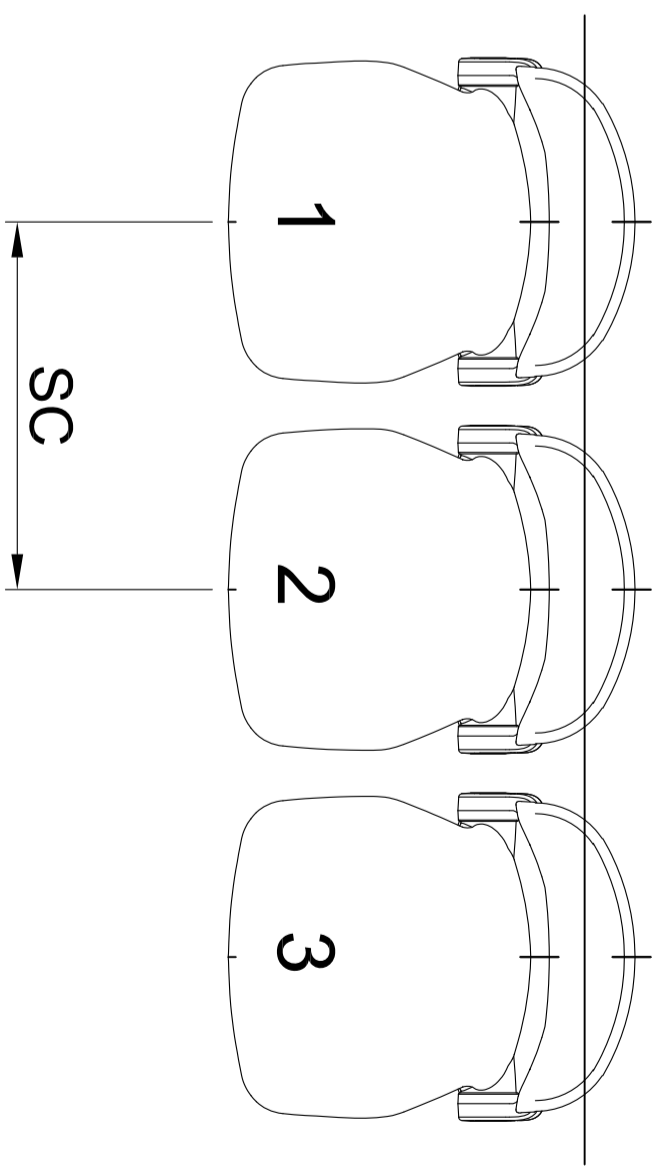


1 2 3 4 5 6 7 8

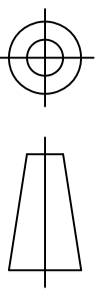
No Arms	Arms	Scribe
460mm	490mm	540mm
244mm	245mm	245mm

Strength & Stability
 The chair satisfies the requirements of EN 12727:2000 - BSEN 12727 Test Level 4.

Fire Retardancy
 The fabric and foam comply with BS 5852:1990 (Source 0, 1, and 5). Other codes or European Standards can be satisfied as required.



GENERAL TOLERANCE
 ± 1 mm



THIS DRAWING IS THE PROPERTY AND COPYRIGHT OF HUSSEY SEATWAY LTD. COPYING OR REPRODUCTION WITHOUT WRITTEN PERMISSION IS PROHIBITED. © 2014

Tel: +44 (0)1985 847200
 Fax: +44 (0)1985 847300
 Email: info@husseyseatway.com

Itemref	Quantity	Title/Name, designation, material, dimension etc	Article No./Reference
<p>Integra Chair</p>			

PRODUCT SPECIFICATION LAYOUT

Metric Version

A3 Scale

1:15

1 2 3 4 5 6 7 8

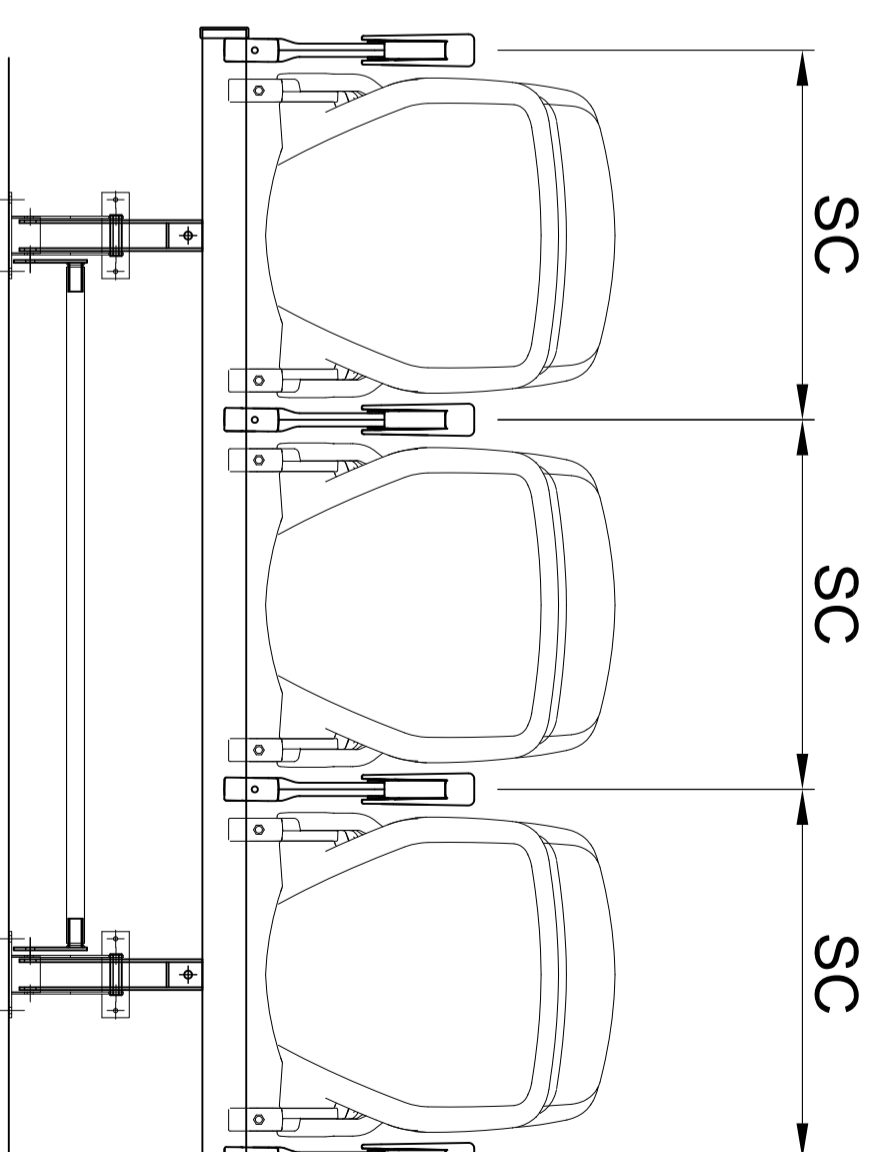
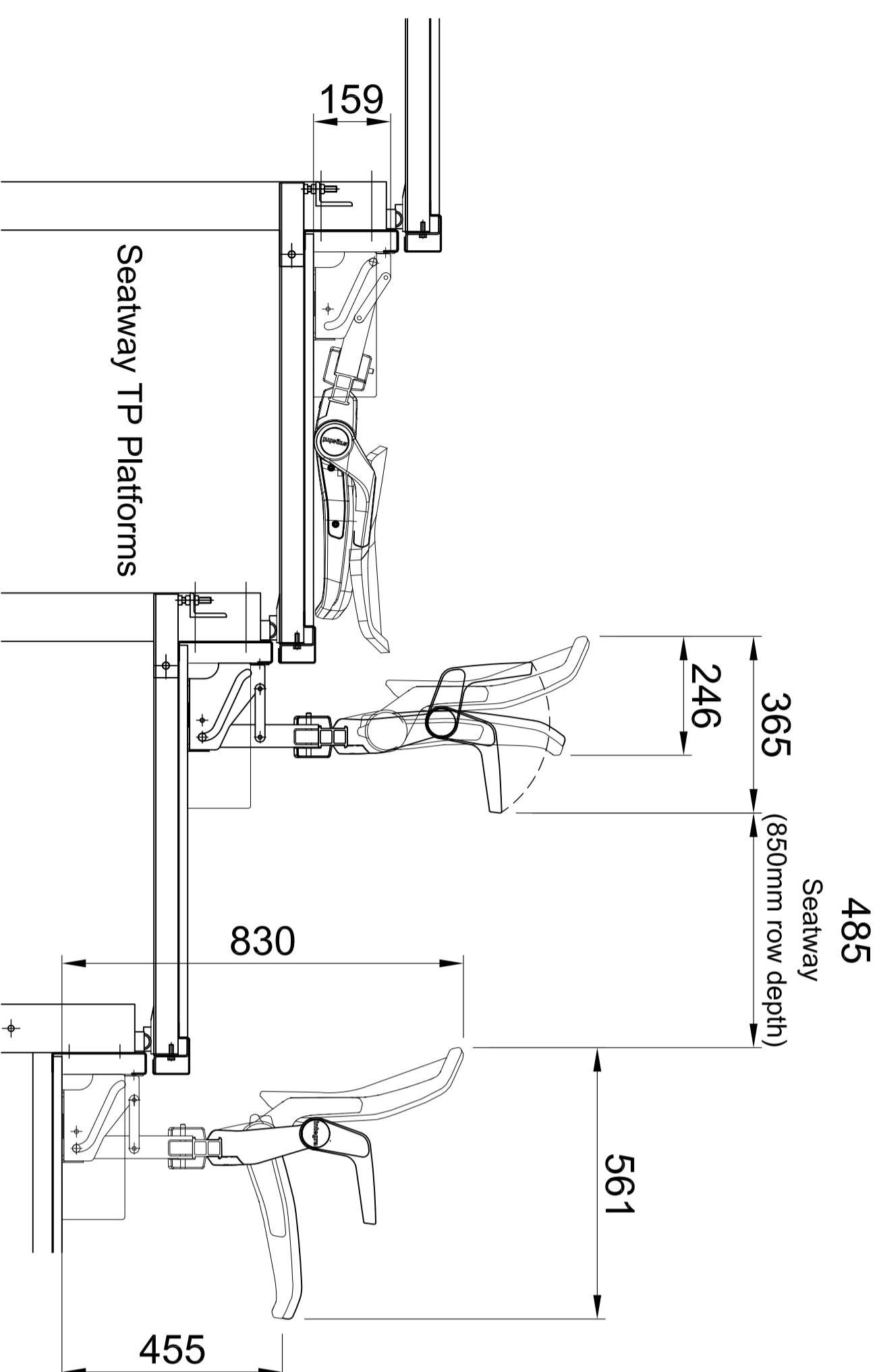
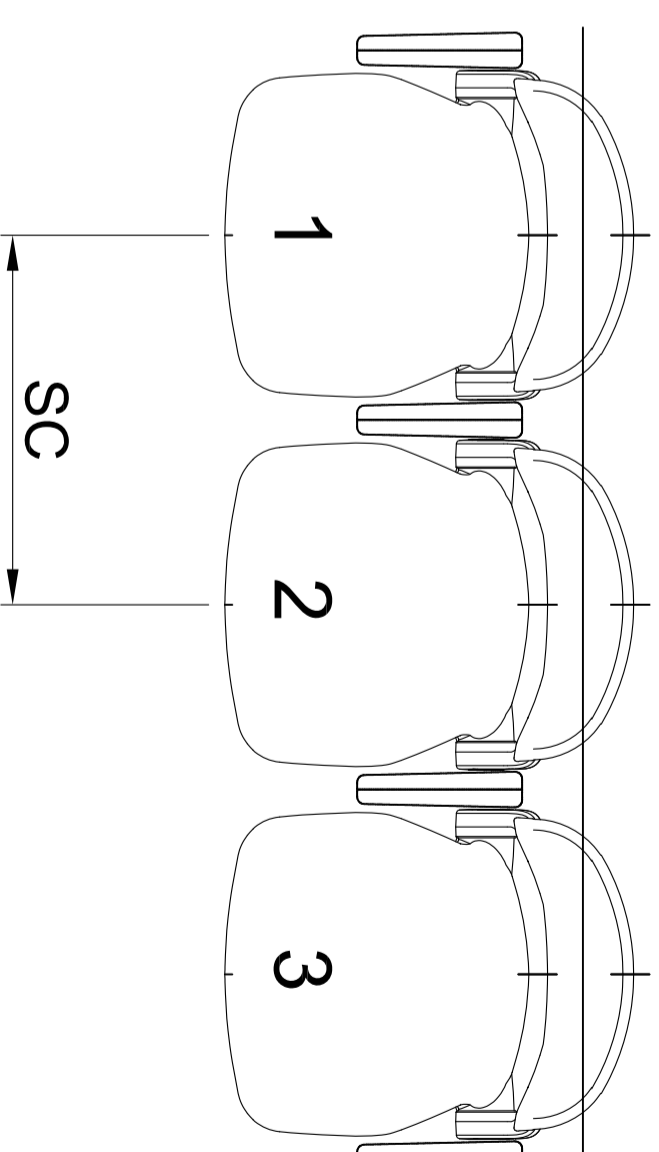
	No Arms	Arms	Scribe
Min Seat Centre (SC)	460mm	490mm	540mm
Min Row Rise	244mm	244mm	244mm

Strength & Stability

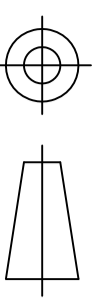
The chair satisfies the requirements of EN 12727:2000 - BSEN 12727 Test Level 4.

Fire Retardency

The fabric and foam comply with BS 5852:1990 (Source 0, 1, and 5). Other codes or European Standards can be satisfied as required.



GENERAL TOLERANCE
+ 1 mm



THIS DRAWING IS THE PROPERTY AND COPYRIGHT OF HUSSEY SEATWAY LTD. COPYING OR REPRODUCTION WITHOUT WRITTEN PERMISSION IS PROHIBITED. © 2014

Tel: +44 (0)1985 847200
Fax: +44 (0)1985 847300
Email: info@husseyseatway.com

Itemref	Quantity	Title/Name, designation, material, dimension etc	Article No./Reference
		Integra Chair	

PRODUCT SPECIFICATION
Layout
Metric Version

A3 Scale
1:15