

# CENTURA Polymer – available in retractable, fixed and flat floor applications

Centura is a versatile, durable chair that offers excellent levels of comfort. The modern design incorporates a rail based attachment enabling variable seat spacings to be achieved. Centura is certified to the highest strength test level (Level 4: severe) allowing it to perform in the most demanding of environments. The product provides excellent value for money.

## APPLICATIONS

A low maintenance and long lasting chair perfect for use in schools, colleges, sports and multi-purpose halls.

## FEATURES

- Multi seat centres from 460mm
- Rail mounting allows equal spacing of seat modules, justification of rows and replacement of complete seat modules in seconds
- Available with or without auto tip armrests
- Fully enclosed tipping mechanism that cannot trap fingers or clothing
- Designed for use on telescopic platforms with at least 244mm row rise and 838mm row depth
- Fixed & flat floor versions also available

## OPTIONS

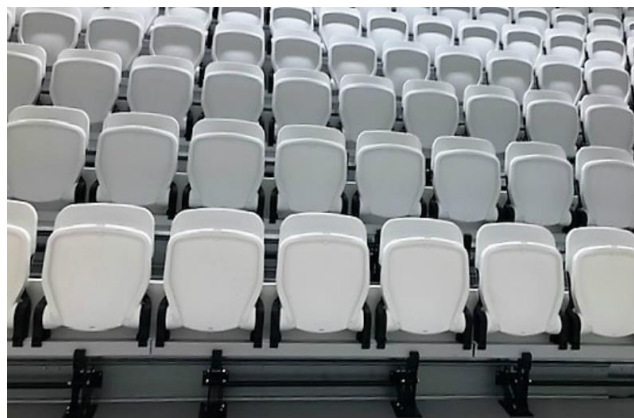
- Seat numbers and row letters
- Auto-tip polymer or upholstered armrests
- Cup holders
- Integral folding Scribe writing tablets
- Coloured polymer mouldings

## FINISHES

- Seat/back: Black (RAL 9004) polymer mouldings as standard
- Armrests: polymer or upholstered
- 17 polymer colours

## TECHNICAL

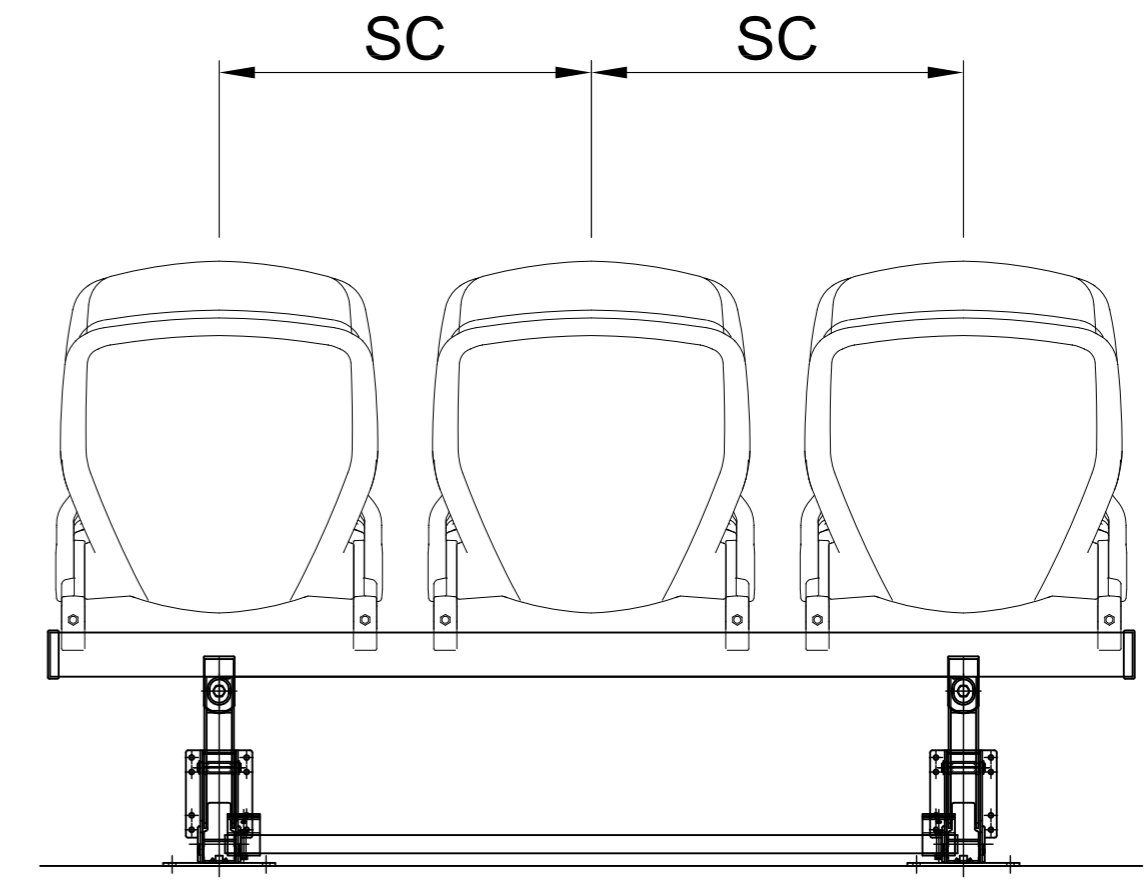
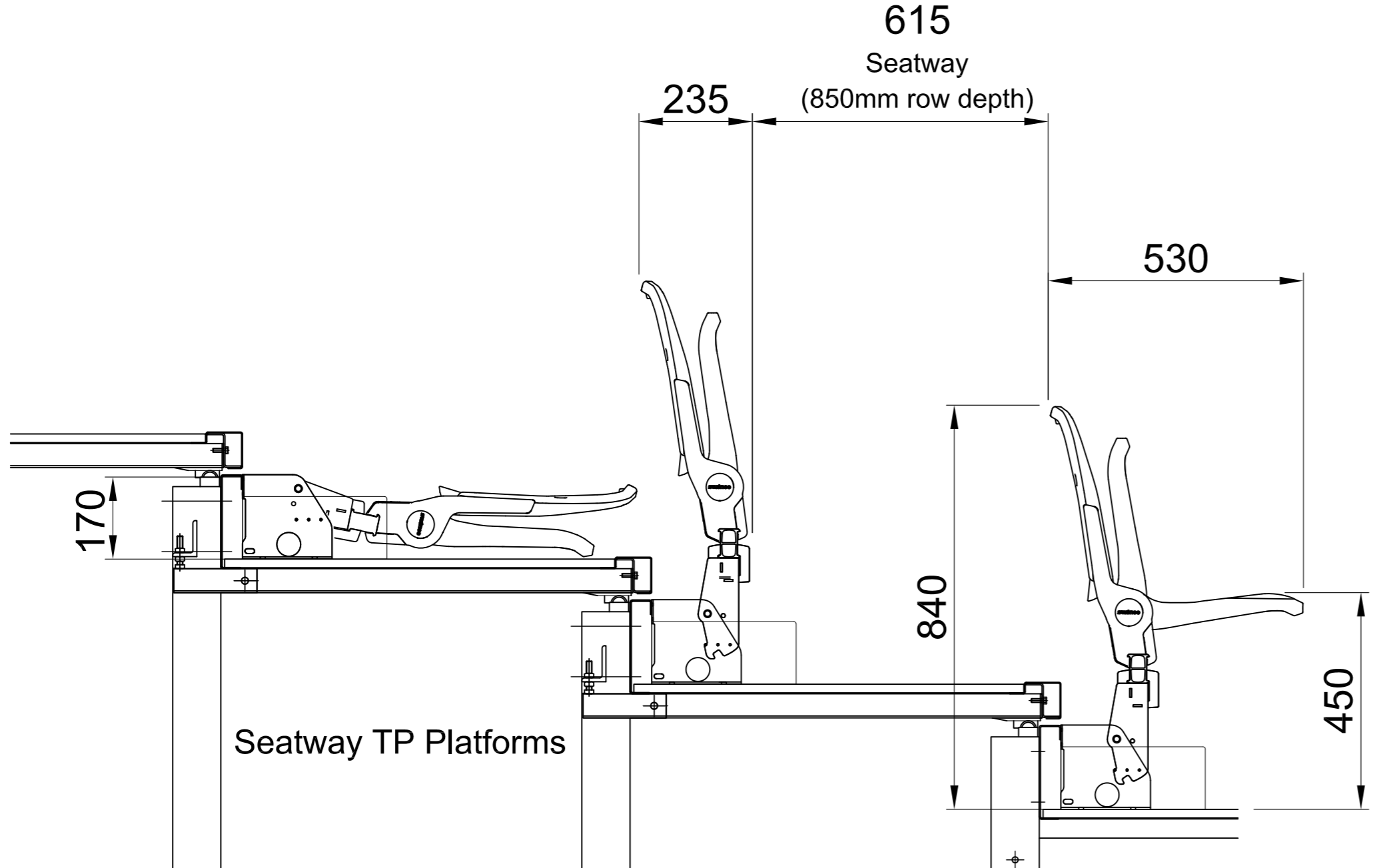
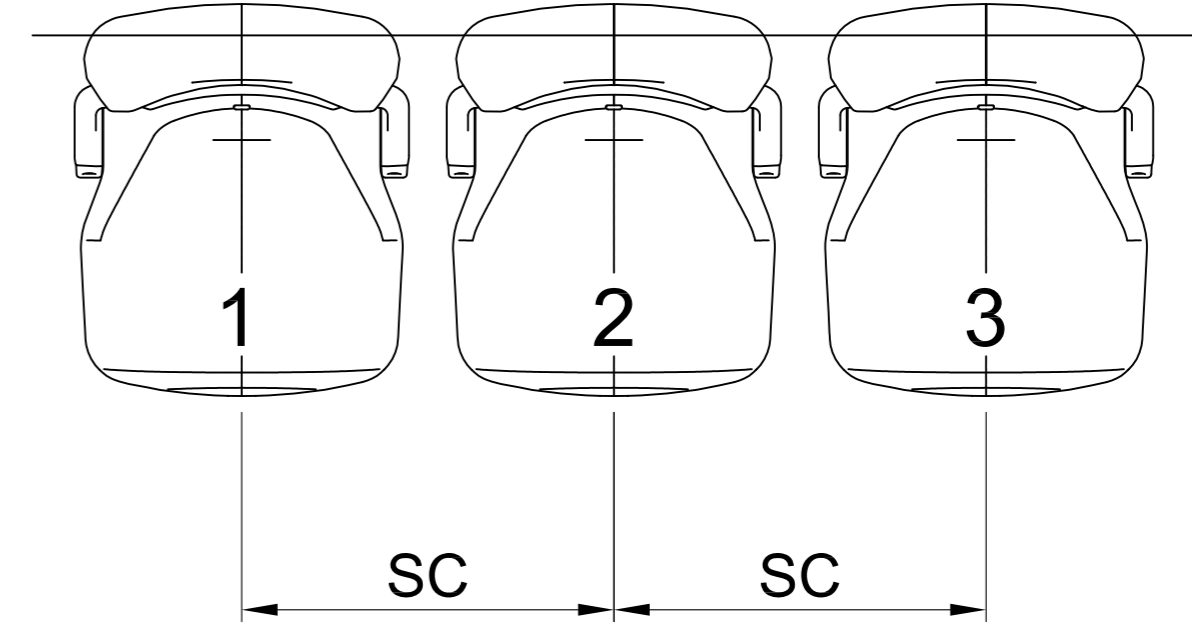
For all technical details, please see the reverse side of this specification sheet.  
CAD drawings are available on request.



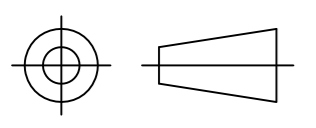
	No Arms	Arms	Scribe
Min Seat Centre (SC)	460mm	490mm	535mm
Min Row Rise	245mm	245mm	245mm

**Strength & Stability**  
The chair satisfies the requirements of EN 12727:2000.

**Fire Retardency**  
The fabric and foam comply with BS 5852:1990 (Source 0, 1, and 5). Other codes or European Standards can be satisfied as required.



GENERAL TOLERANCE  
± 1 mm



THIS DRAWING IS THE PROPERTY AND COPYRIGHT OF HUSSEY SEATWAY LTD. COPYING OR REPRODUCTION WITHOUT WRITTEN PERMISSION IS PROHIBITED. © 2014

Tel: +44 (0)1985 847200  
Fax: +44 (0)1985 847300  
Email: info@husseyseatway.com

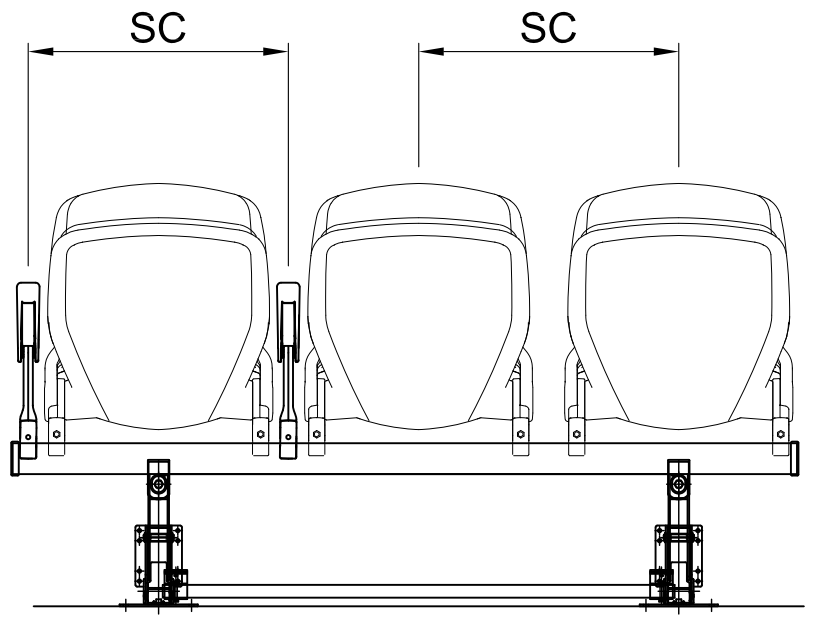
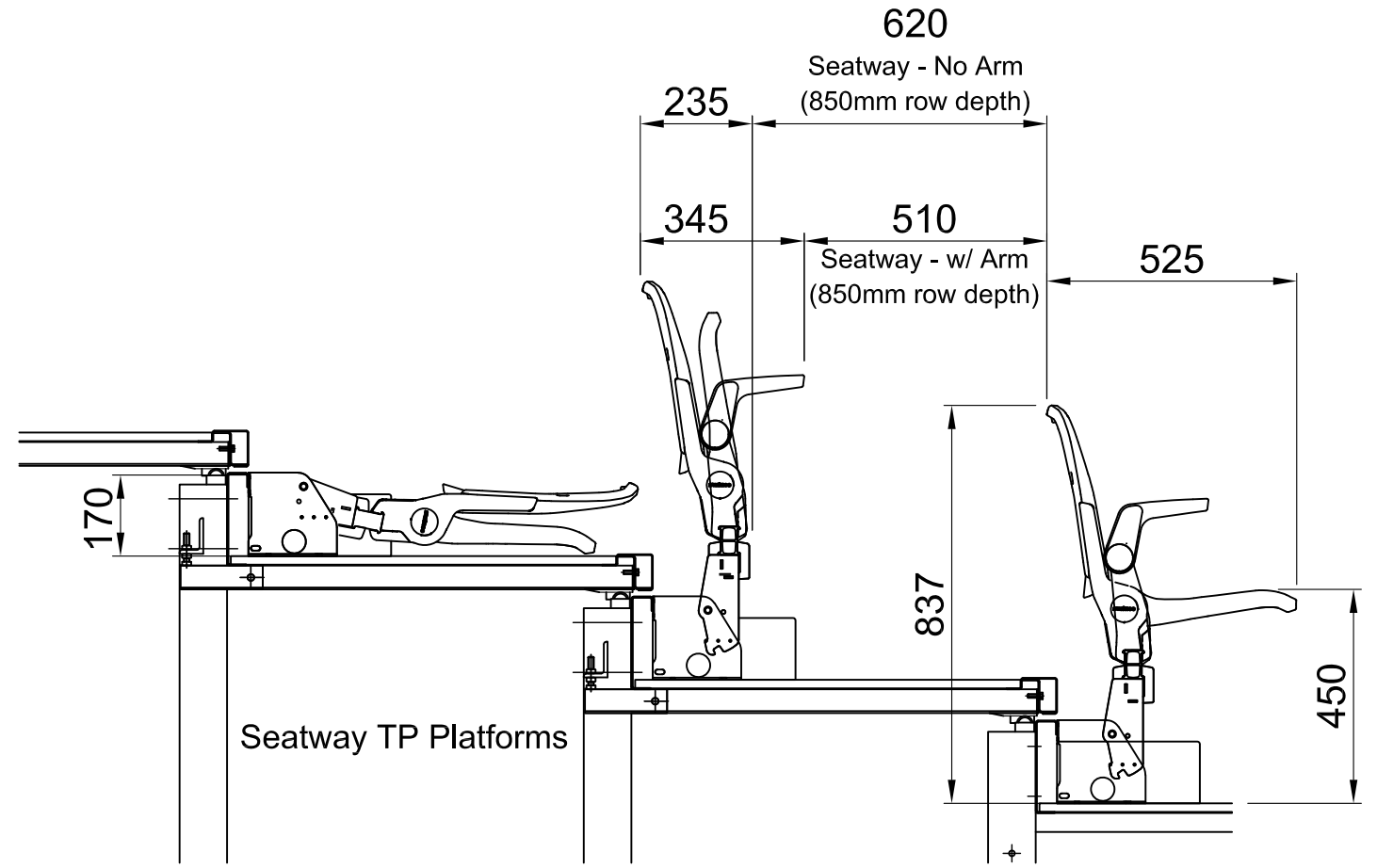
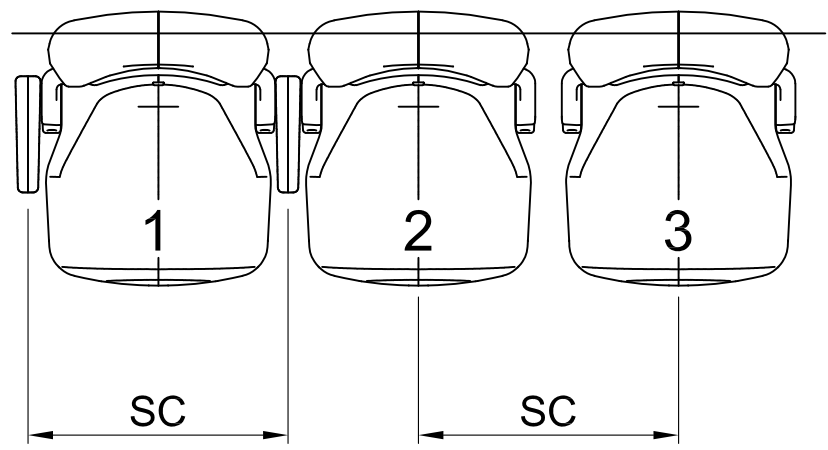
Itemref	Quantity	Title/Name, designation, material, dimension etc	Article No./Reference
		Centura - No Arms	
<b>PRODUCT SPECIFICATION LAYOUT</b>			<b>Metric Version</b>
			A3 Scale 1:15

1	2	3	4	5	6	7	8
RevNo	Revision note	Date	Signature	Checked			

	No Arms	Arms	Scribe
Min Seat Centre (SC)	460mm	490mm	550mm
Min Row Rise	245mm	245mm	245mm

**Strength & Stability**  
The chair satisfies the requirements of EN 12727:2000.

**Fire Retardency**  
The fabric and foam comply with BS 5852:1990 (Source 0, 1, and 5). Other codes or European Standards can be satisfied as required. Applies to plastic, fabric and foam.



GENERAL TOLERANCE  
± 1 mm

THIS DRAWING IS THE PROPERTY AND COPYRIGHT OF HUSSEY SEATWAY LTD. COPYING OR REPRODUCTION WITHOUT WRITTEN PERMISSION IS PROHIBITED. © 2016

Tel: +44 (0)1985 847200  
Fax: +44 (0)1985 847300  
Email: info@husseyseatway.com

Itemref	Quantity	Title/Name, designation, material, dimension etc	Article No./Reference
<b>Centura Chair</b>			
<b>PRODUCT SPECIFICATION LAYOUT</b>		<b>Metric Version</b>	A3 Scale 1:15 1/1